

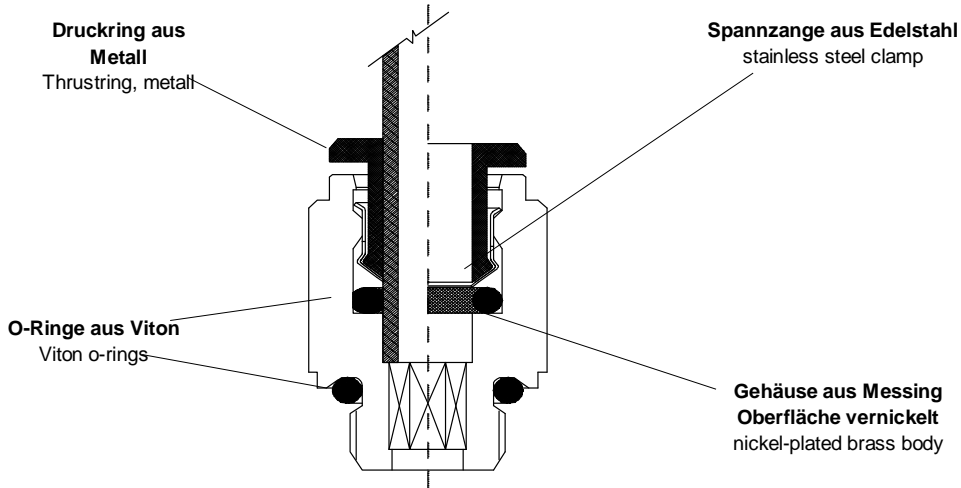
Viton - Steckverschraubungen

Viton - Push - in Fittings



Viton - Steckverschraubungen

Viton - Push - in Fittings



Technische Daten für CIC - Steckverschraubungen Baureihe 02, Viton

Toleranz für Polyurethan-Schlauch PU

Rohr-Außen-Ø	Toleranz des Außen-Ø
4 und 5 mm	+0,05 ... -0,08
6 bis 14mm	+0,05 ... -0,1

Toleranz für Polyamid-Schlauch PA11/12

Rohr-Außen-Ø	Toleranz des Außen-Ø
6 bis 14mm	+0,05 ... -0,1

Technische Daten

Betriebstemperatur : -25 ... +120°C
 Geeignete Medien : Druckluft, alle flüssigen und gasförmigen Medien, die mit den Werkstoffen der Komponente kompatibel sind (s.unten)
 Vakuüm : max. 98%
 Werkstoffe : Gehäuse Ms58, vernickelt
 Dichtungen Viton
 Spannzange Edelstahl AISI316
 Druckring aus Messing, vernickelt
 Gewinde : zylindrisch BSPP mit O-Ringabdichtung (Viton)

Anwendungsgebiete : für alle flüssigen und gasförmigen Medien die mit diesen Bestandteilen kompatibel sind: z.B. Kalt- und Warmwasser, Dampf, Fette und Öle, Industrieabwässer. Für Vakuüm geeignet.

Technical Data for CIC - push-in Fittings Type 02, Viton

Tolerances for PA11 and PA12 pipes (Polyamide)

outside pipe Ø	tolerance of outside pipe Ø
4 and 5 mm	+0,05 ... -0,08
6 to 14mm	+0,05 ... -0,1

Tolerances for Polyurethane (PU) pipes

outside pipe Ø	tolerance of outside pipe Ø
6 to 14mm	+0,05 ... -0,1

Technical Data

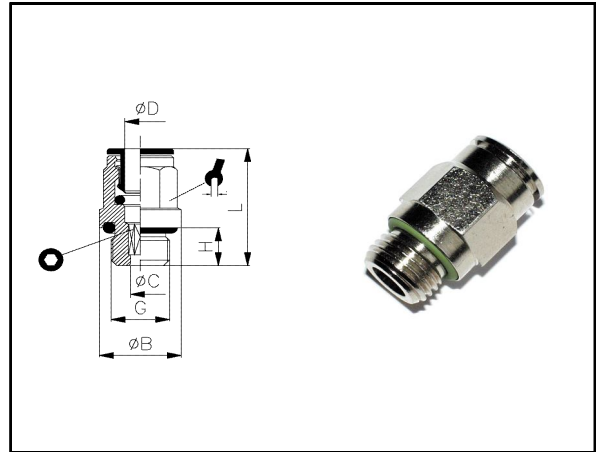
Working temperature : -25 ... +120°C
 Fluids : compressed air, liquid and gas medias, which are compatible with the various fitting components (s.above)
 Vakuüm : max. 98%
 Materials : body nickel-plated brass 58
 Viton gaskets
 Clamp stainless steel AISI316
 Metal ring, nickel-plated brass
 Threading : parallel BSPP with viton O-Ring seal

Fields of application : for all liquid and gas media, which are compatible with the various fitting components i.e. cold and hot water, steam, greases and oils, industrial liquids.
 Vacuum - compatible

gerade Einschraubverschraubung (Viton)

Straight male adaptor parallel (viton)

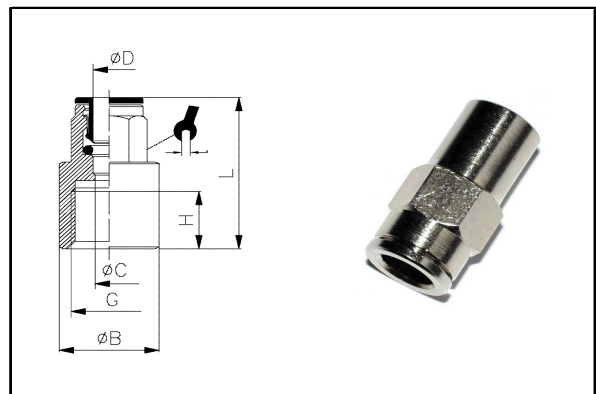
D	G	C	B	H	L	SW1	SW2	VE	Art.Nr.
4	M5	2,6	9,0	4,0	20,5	Ø9	2,5	50	02 000 001
4	G1/8	2,6	13,5	6,0	20,0	9,0	2,5	50	02 000 002
4	G1/4	2,6	17,0	8,0	21,0	9,0	2,5	50	02 000 003
6	M5	2,6	10,5	4,0	22,5	Ø10,5	2,5	50	02 000 004
6	G1/8	4,2	13,5	6,0	24,0	11,0	4,0	50	02 000 005
6	G1/4	5,0	17,0	8,0	24,0	11,0	4,0	50	02 000 006
8	G1/8	5,0	13,0	6,0	26,5	13,0	5,0	50	02 000 007
8	G1/4	6,2	17,0	8,0	25,0	13,0	6,0	50	02 000 008
8	G3/8	6,2	20,0	9,0	25,0	13,0	6,0	50	02 000 009
10	G1/4	7,3	16,0	8,0	29,5	16,0	7,0	50	02 000 010
10	G3/8	8,3	21,0	9,0	29,5	16,0	8,0	50	02 000 011



Manometerverschraubung

Straight female Adaptor

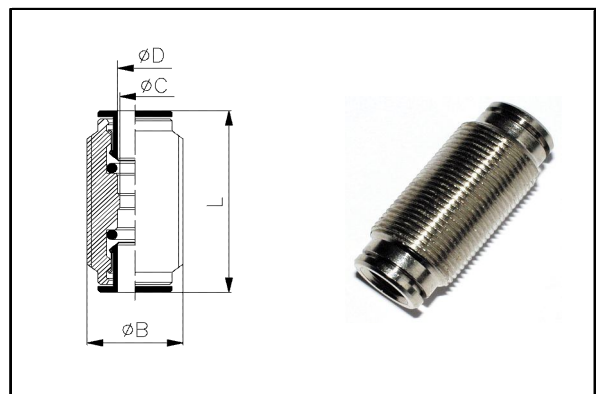
D	G	C	B	H	L	SW	VE	Art.Nr.
4	G1/8	3,0	11,0	6,0	26,5	9,0	50	02 000 012
6	G1/8	5,0	11,0	6,0	27,0	11,0	50	02 000 013
6	G1/4	5,0	16,0	10,0	31,0	11,0	50	02 000 014
8	G1/8	7,0	11,0	6,0	28,0	13,0	50	02 000 015
8	G1/4	7,0	16,0	10,0	32,0	13,0	50	02 000 016



gerader Verbinder

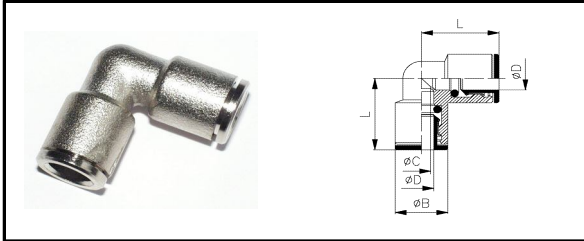
Straight Connector

D	C	B	L	VE	Art.Nr.
4	3,0	10,0	32,0	50	02 000 017
6	5,0	14,0	33,5	50	02 000 018
8	7,0	16,0	37,0	50	02 000 019
10	9,0	17,0	39,5	50	02 000 020



Winkelverbinder (Viton)

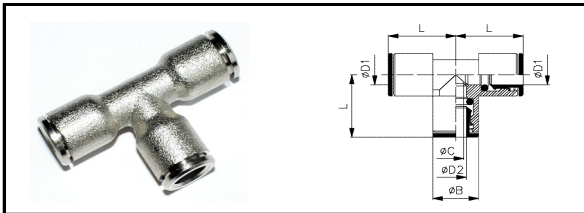
Elbow Connector (Viton)



D	C	B	L	VE	Art.Nr.
4	3,0	9,0	17,5	50	02 000 021
6	5,0	11,0	19,5	50	02 000 022
8	7,0	13,0	23,0	50	02 000 023
10	8,0	15,0	25,0	50	02 000 024

T - Verbinder

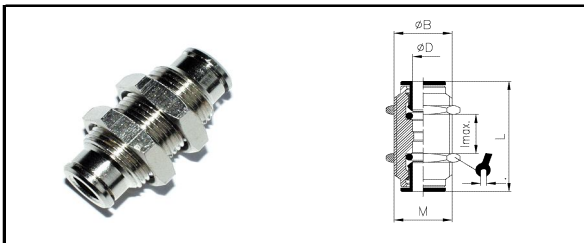
Tee - Connector



D	C	B	L	VE	Art.Nr.
4	3,0	9,0	17,5	50	02 000 025
6	5,0	11,0	19,5	50	02 000 026
8	7,0	13,0	23,0	50	02 000 027
10	8,0	15,0	25,0	20	02 000 028

Schottverschraubung

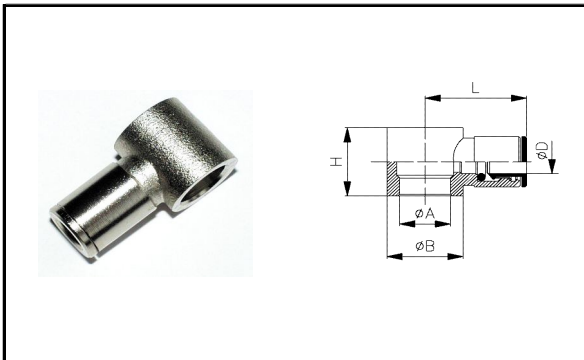
Bulkhead Connector



ØD	C	M	lmax	L	SW	VE	Art.Nr.
4	3	M10x	8	32	13	50	02 000 029
6	5	M14x	8	33,5	17	50	02 000 030
8	7	M16x	10	37	18	50	02 000 031
10	9	M17x	12	39,5	20	25	02 000 032

Ringstück 1 - fach

Single Banjo Body

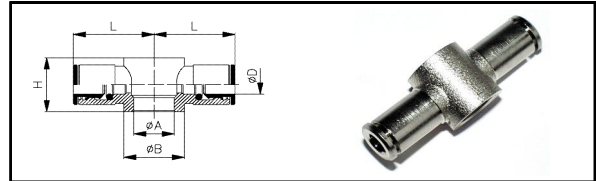


ØD	G	D	B	H	L	VE	Art.Nr.
4	M5	5,0	7,0	9,0	18,5	50	02 000 033
4	G1/8	9,9	14,0	15,0	21,0	50	02 000 034
6	G1/8	9,9	14,0	15,0	23,0	50	02 000 035
6	G1/4	13,3	18,0	17,0	24,0	50	02 000 036
8	G1/8	9,9	14,0	15,0	24,5	50	02 000 037
8	G1/4	13,3	18,0	17,0	26,0	50	02 000 038
10	G1/4	13,3	18,0	17,0	27,0	50	02 000 039
10	G3/8	16,6	21,0	20,0	29,0	25	02 000 040

Ringstück 2-fach (Viton)

Double Banjo Body (Viton)

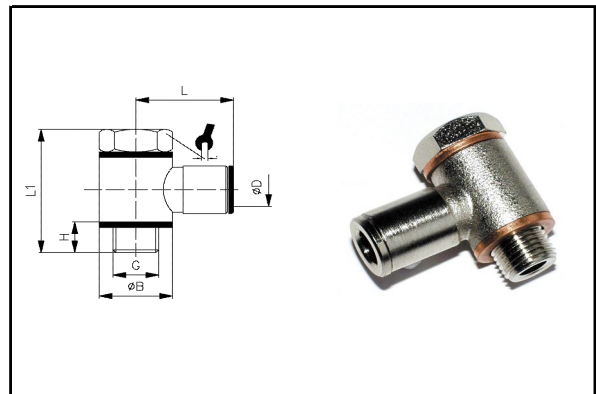
ØD	G	D	B	H	L	VE	Art.Nr.
4	G1/8	9,9	14	15	21	50	02 000 041
6	G1/8	9,9	14	15	23	50	02 000 042
6	G1/4	13,3	18	17	24	50	02 000 043



Winkelschwenkverschraubung

Complete single Banjo

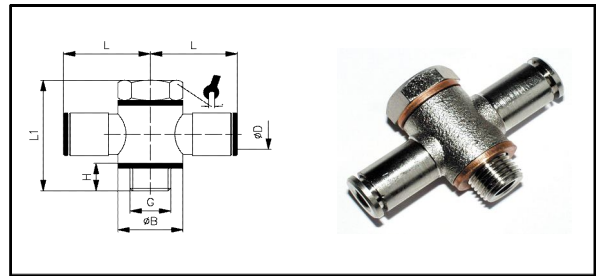
ØD	G	B	H	L1	L	SW	VE	Art.Nr.
4	M5	7	4,5	17,5	18,5	8	50	02 000 044
4	G1/8	14	7,5	28	21	14	50	02 000 045
5	M5	7	4,5	17,5	19,5	8	50	02 000 046
6	M5	10	4,5	17,5	19	8	50	02 000 047
6	G1/8	14	7,5	28	22,5	14	50	02 000 048
6	G1/4	18	9	33	24	17	50	02 000 049
8	G1/8	14	7,5	28	24,5	14	25	02 000 050
8	G1/4	18	9	33	26	17	25	02 000 051
8	G3/8	21	10	37	28	22	25	02 000 052
10	G1/4	18	9	33	27	17	25	02 000 053
12	G3/8	21	10	37	30	22	10	02 000 054



T - Schwenkverschraubung

Complete double swivel Banjo

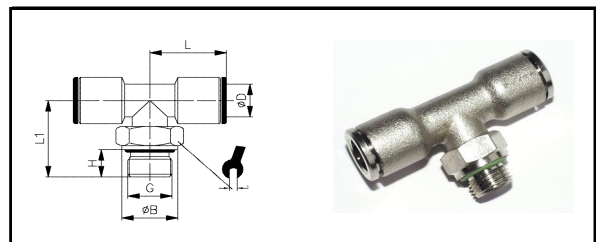
D	G	B	H	L1	L	SW	VE	Art.Nr.
4	G1/8	14	7,5	28	21	14	50	02 000 055
6	G1/8	14	7,5	28	22,5	14	50	02 000 056
6	G1/4	18	9	33	24	17	50	02 000 057



T - Verschraubung drehbar

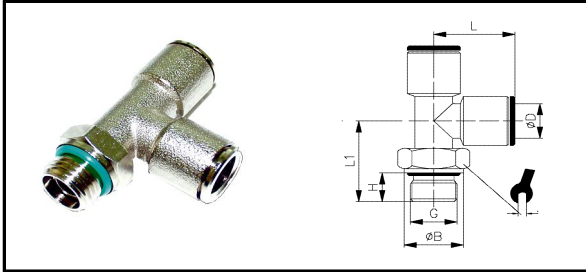
Rotary T - Adaptor parallel

ØD	G	B	H	L	L1	SW	VE	Art.Nr.
8	G1/8	12,8	5,8	23	20,5	13	100	



L - Verschraubung drehbar (Viton)

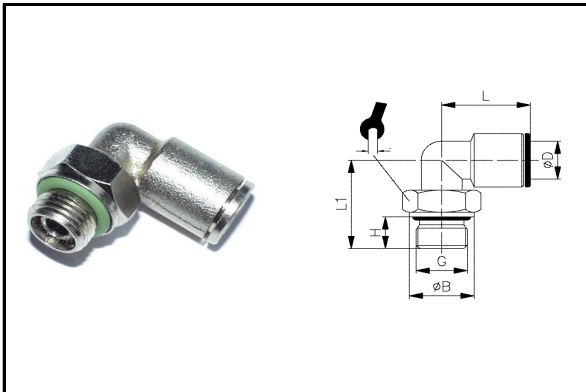
Rotary L - Adaptor parallel (Viton)



ØD	G	B	H	L	L1	SW	VE	Art.Nr.
6	G1/8	12,8	5,8	19,5	18,5	13	100	02 000 058
10	G1/4	15,8	8	25,5	24,5	16	50	02 000 059

Winkelverschraubung drehbar

Rotary Elbow male Adaptor parallel



D	G	B	H	L	L1	SW	VE	Art.Nr.
4	M5	8,0	4,0	17,5	20,0	8,0	100	02 000 060
4	G1/8	12,8	5,8	17,5	18,5	13,0	100	02 000 061
6	G1/8	12,8	5,8	19,5	18,5	13,0	100	02 000 062
6	G1/4	15,8	8,0	21,0	22,5	16,0	100	02 000 063
8	G1/8	12,8	5,8	23,0	20,5	13,0	100	02 000 064
8	G1/4	15,8	8,0	23,0	22,5	16,0	100	02 000 065
8	G3/8	17,8	9,0	25,5	25,5	18,0	50	02 000 066
10	G1/4	15,8	8,0	25,5	24,5	16,0	50	02 000 067
10	G3/8	17,8	9,0	25,5	25,5	18,0	50	02 000 068