

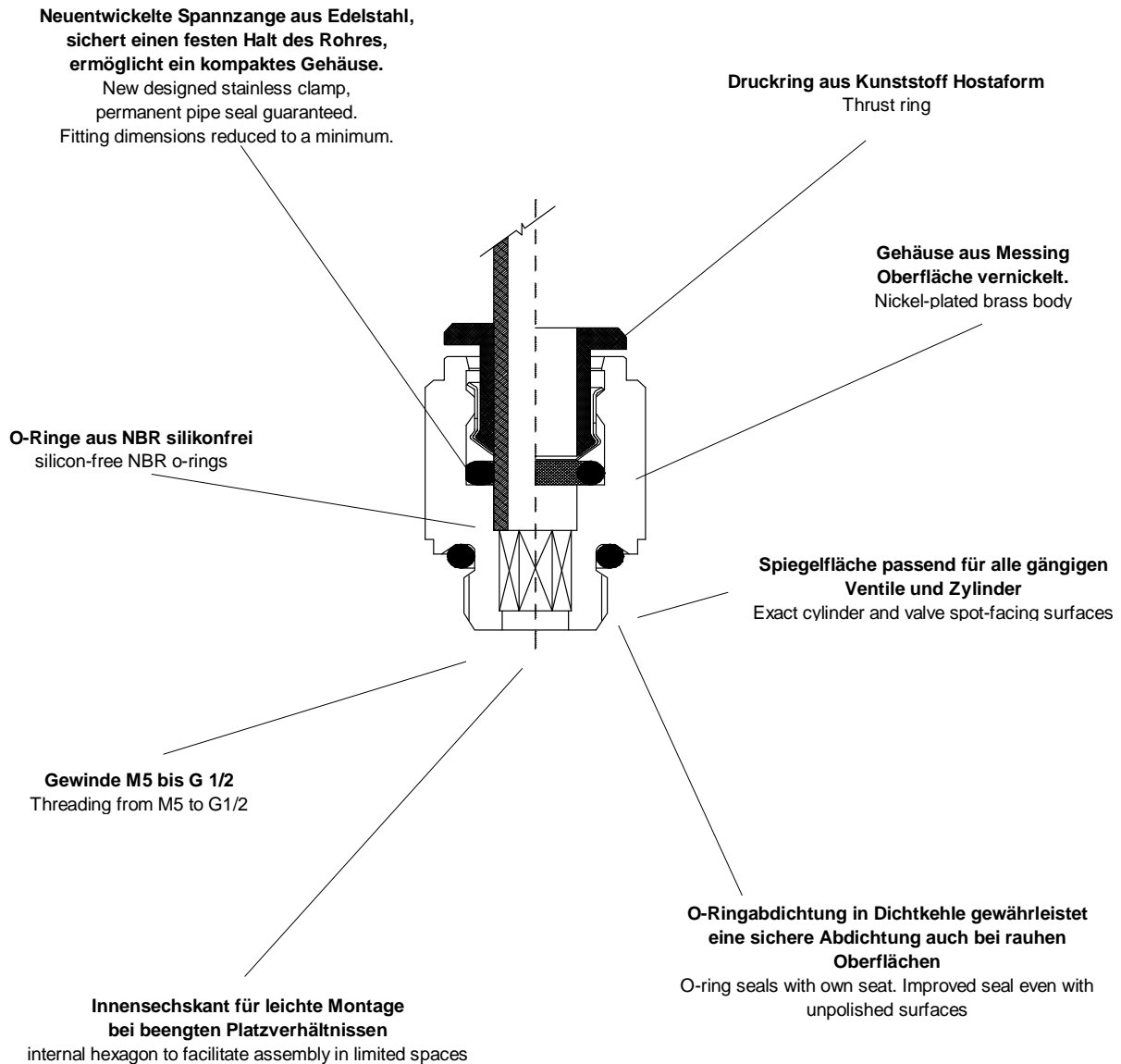
Steckverschraubungen

Push - in Fittings



Steckverschraubungen

Push - in Fittings



Technische Daten für CIC - Steckverschraubungen

Baureihe 01

Rohr Außen - Ø	Rohr Innen - Ø	Betriebsdruck in bar, Test durchgeführt mit PA-Rohr 11/12		
		-20°C +30°C	+31°C +50°C	+51°C +70°C
4	2	18	18	18
5	3	18	18	18
6	4	18	15	15
8	6	15	15	11
10	8	14	12	8
12	10	14	12	8
14	12	12	10	6

Technische Daten:

Betriebstemperatur :	-20°C ... +70°C
Betriebsdruck :	max. 16bar bei +20°C
Medium :	Druckluft (andere Medien auf Anfrage)
Vakuum :	max. 98%
Werkstoff :	Gehäuse aus MS58, vernickelt Dichtungen aus NBR silikonfrei Spannzange aus Edelstahl AISI316 Druckring aus HOSTAFORM (schwarz)
Gewinde :	zylindrisch BSPP mit O-Ringabdichtung

Toleranz für Polyurethan-Schlauch PU

Rohr-Außen-Ø	Toleranz des Außen-Ø
4 und 5 mm	+0,05 ... -0,08
6 bis 14mm	+0,05 ... -0,1

Toleranz für Polyamid-Schlauch PA11/12

Rohr-Außen-Ø	Toleranz des Außen-Ø
6 bis 14mm	+0,05 ... -0,1

Hauptmerkmale

1. Voller Durchgang
2. Spezialspannzange mit doppelter Wirkung für die Verblockung des Schlauches.
3. Befestigen und Lösen des Schlauches mit einem Griff
4. Geeignet für Schläuche verschiedener Materialien (PA, PU, Teflon usw.)
5. Kleine Baugröße
6. Dadurch geringes Gewicht
7. Modularer Aufbau gewährleistet auch komplizierte Verschlauchungen
8. Hohlkehle mit O-Ring am Gewinde gewährleistet eine dichte Verbindung auch bei rauen Oberflächen

Technical Data for CIC - push-in Fittings

Type 01

outside pipe Ø	inside pipe Ø	working pressure in bar tested with PA 11/12 pipes		
		-20°C +30°C	+31°C +50°C	+51°C +70°C
4	2	18	18	18
5	3	18	18	18
6	4	18	15	15
8	6	15	15	11
10	8	14	12	8
12	10	14	12	8
14	12	12	10	6

Technical Data

Working temperature :	-20 ... +70°C
Working pressure :	max. 16bar at +20°C
Fluids :	compressed air (other fluids on request)
Vacuum :	max. 98%
Materials :	body nickel-plated brass 58 Silicone-free NBR gaskets Clamp stainless steel AISI316 Thrust ring HOSTAFORM, black
Threading :	parallel BSPP with O-Ring

Tolerances for PA11 and PA12 pipes (Polyamide)

outside pipe Ø	tolerance of outside pipe Ø
4 and 5 mm	+0,05 ... -0,08
6 to 14mm	+0,05 ... -0,1

Tolerances for Polyurethane (PU) pipes

outside pipe Ø	tolerance of outside pipe Ø
6 to 14mm	+0,05 ... -0,1

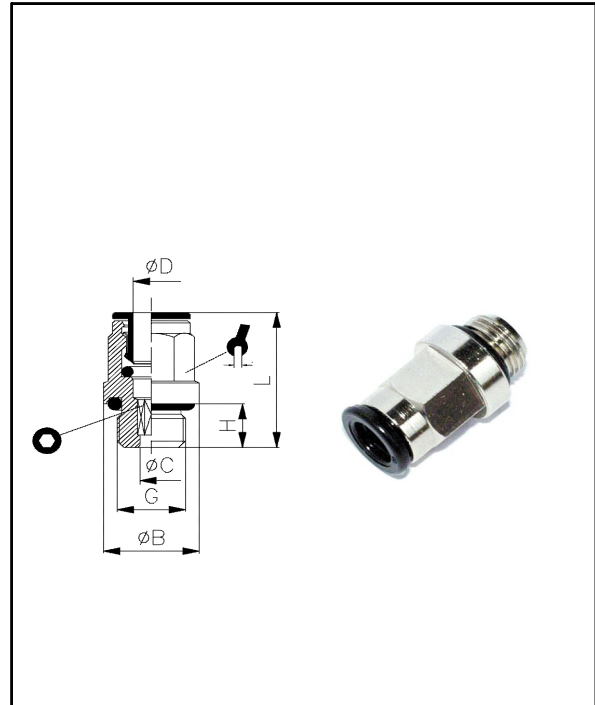
Main features

1. Full flow
2. special dual-acting pipe clamp
3. can be inserted and extracted with one hand
4. suitable for many types of pipes (PA, PU, Teflon etc.)
5. supercompact
6. extremely lightweight, yet sturdy
7. modular assembly for complex pipe systems
8. o-ring provided with own seat to ensure seal even with unpolished surfaces

gerade Einschraubverschraubungen

Straight male adaptor

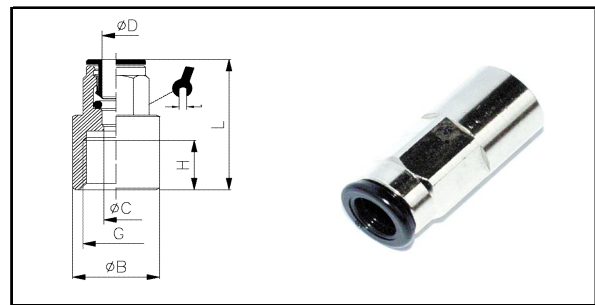
ØD	G	C	B	H	L	SW1	SW2	VE	Art.Nr.
4	M5	2,6	9,0	4,0	20,5	9,0	2,5	50	01 000 001
4	M6	2,6	9,0	5,0	20,5	9,0	2,5	50	01 000 002
4	M7	2,5	10,8	6,0	22,2	9,0	2,5	50	01 000 003
4	G1/8	2,6	13,5	6,0	20,0	9,0	2,5	50	01 000 004
4	G1/4	2,6	17,0	8,0	21,0	9,0	2,5	50	01 000 005
5	M5	2,6	9,5	4,0	22,0	9,5	2,5	50	01 000 006
5	G1/8	4,2	13,5	6,0	22,0	10,0	4,0	50	01 000 007
5	G1/4	4,2	17,0	8,0	22,0	10,0	4,0	50	01 000 008
6	M5	2,6	10,5	4,0	22,5	10,5	2,5	50	01 000 009
6	M7	3,5	10,5	6,0	22,0	10,5	3,5	50	01 000 010
6	G1/8	4,2	13,5	6,0	24,0	11,0	4,0	50	01 000 011
6	G1/4	5,0	17,0	8,0	24,0	11,0	4,0	50	01 000 012
6	G3/8	4,2	20,0	9,0	24,0	13,0	4,0	50	01 000 013
8	G1/8	5,0	13,0	6,0	26,5	13,0	5,0	50	01 000 014
8	G1/4	6,2	17,0	8,0	25,0	13,0	6,0	50	01 000 015
8	G3/8	6,2	20,0	9,0	25,0	13,0	6,0	50	01 000 016
10	G1/4	7,3	16,0	8,0	29,5	16,0	7,0	50	01 000 017
10	G3/8	8,3	21,0	9,0	29,5	16,0	8,0	50	01 000 018
12	G1/4	7,3	16,0	8,0	31,5	18,0	7,0	50	01 000 019
12	G3/8	10,3	21,0	9,0	31,0	18,0	10,0	25	01 000 020
12	G1/2	10,3	24,0	11,0	31,0	18,0	10,0	25	01 000 021
14	G3/8	10,3	21,0	9,0	34,0	21,0	10,0	25	01 000 022
14	G1/2	12,0	25,0	11,0	34,0	21,0	12,0	25	01 000 023



Manometerverschraubung

Straight female adaptor

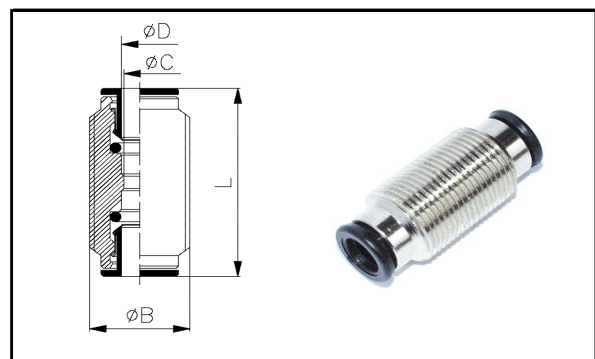
D	G	C	B	H	L	SW	VE	Art.Nr.
4	G1/8	3,0	11,0	6,0	26,5	9,0	50	01 000 024
4	G1/4	3,0	16,0	10,0	29,5	9,0	50	01 000 025
5	G1/8	4,0	12,0	6,0	27,0		50	01 000 026
5	G1/4	4,0	16,0	10,0	30,0		50	01 000 027
6	G1/8	5,0	11,0	6,0	27,0		50	01 000 028
6	G1/4	5,0	16,0	10,0	31,0		50	01 000 029
8	G1/8	7,0	11,0	6,0	28,0		50	01 000 030
8	G1/4	7,0	16,0	10,0	32,0		50	01 000 031



gerade Verbinder

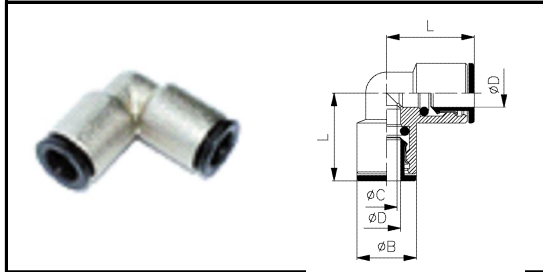
Straight connector

D	C	B	L	VE	Art.Nr.
4	3,0		32,0	50	01 000 032
5	4,0		33,0	50	01 000 033
6-4	3,0		33,5	50	01 000 034
6	5,0		33,5	50	01 000 035
8-6	5,0		37,0	50	01 000 036
8	7,0		37,0	50	01 000 037
8	7,0		39,5	50	01 000 038
10	9,0		39,5	50	01 000 039
12	11,0		42,0	50	01 000 040
14	12,0		45,0	50	01 000 041



Winkelverbinder

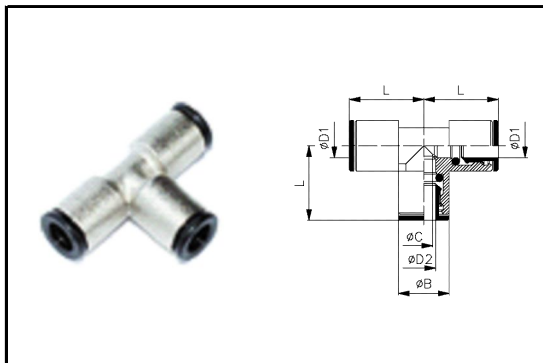
Elbow Connector



D	C	B	L	VE	Art.Nr.
4	3,0	9,0	17,5	50	01 000 042
5	4,0	9,5	19,0	50	01 000 043
6	5,0	11,0	19,5	50	01 000 044
8	7,0	13,0	23,0	50	01 000 045
10	8,0	15,0	25,0	50	01 000 046
12	10,0	17,0	27,0	25	01 000 047
14	12,0	20,0	30,0	25	01 000 048

T-Stücke

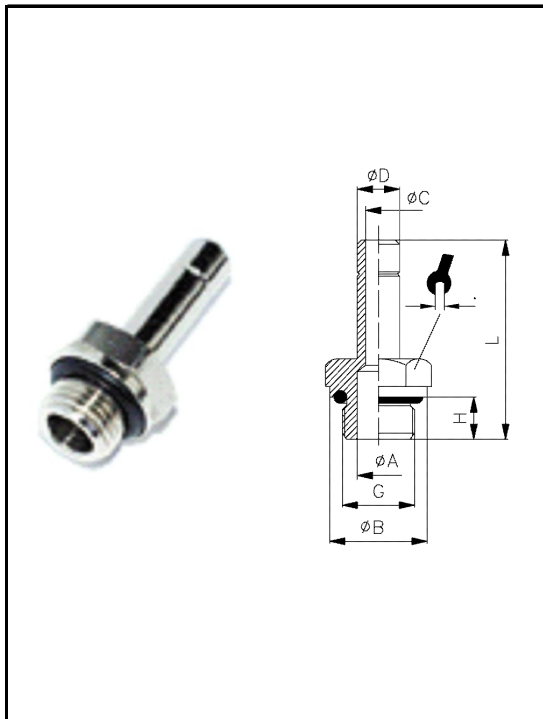
T-Connector



D	$\phi D2$	C	B	L	VE	Art.Nr.
4	4	3,0	9,0	17,5	50	01 000 049
5	5	4,0	9,5	19,0	50	01 000 050
6	6	5,0	11,0	19,5	50	01 000 051
6	4	3,0	11,0	19,5	50	01 000 052
8	8	7,0	13,0	23,0	50	01 000 053
8	6	5,0	13,0	23,0	50	01 000 054
10	10	8,0	15,0	25,0	20	01 000 055
10	8	7,0	15,0	25,0	20	01 000 056
12	12	10,0	17,0	27,0	20	01 000 057
14	14	12,0	20,0	30,0	20	01 000 058

Gewindeanschluß-Stecker

Adaptor parallel (short)

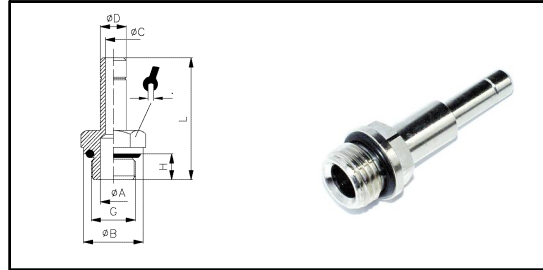


D	G	C	B	H	L	A	SW	VE	Art.Nr.
4	M5	2,0	8,0	4,0	24,5	2,0	8,0	50	01 000 059
4	M7	2,0	-	6,0	26,0	4,0	10	50	01 000 060
4	G1/8	2,0	13,0	6,0	27,7	6,0	13,0	50	01 000 061
4	G1/4	2,0	16,0	8,0	30,2	7,5	13,0	50	01 000 062
5	M5	2,6	8,0	4,0	25,0	2,6	8,0	50	01 000 063
5	G1/8	3,0	13,0	6,0	28,0	5,5	13,0	50	01 000 064
5	G1/4	3,0	16,0	8,0	31,0	7,5	13,0	50	01 000 065
6	M5	2,6	8,0	4,0	26,0	2,6	8,0	50	01 000 066
6	M7	4,0	-	6,0	28,0	4,0	10	50	01 000 067
6	G1/8	4,0	13,0	6,0	29,5	6,0	13,0	50	01 000 068
6	G1/4	4,0	16,0	8,0	32,0	7,5	13,0	50	01 000 069
8	G1/8	6,0	13,0	6,0	31,0	6,0	13,0	50	01 000 070
8	G1/4	6,0	16,0	8,0	33,5	7,5	13,0	50	01 000 071
8	G3/8	6,0	20,0	9,0	35,5	9,0	13,0	50	01 000 072
10	G1/8	8,0	-	6,0	32,0	5,5	13,0	50	01 000 073
10	G1/4	8,0	17,0	8,0	38,0	8,0	13,0	50	01 000 074
10	G3/8	8,0	20,0	9,0	41,0	8,0	13,0	50	01 000 075
12	G1/4	10,0	16,0	8,0	39,0	10,0	13,0	50	01 000 076
12	G3/8	10,0	20,0	9,0	42,0	11,0	13,0	25	01 000 077
12	G1/2	10,0	24,0	11,0	44,0	13,0	16,0	25	01 000 078
14	G3/8	12,0	20,0	9,0	44,0	12,0	16,0	25	01 000 079
14	G1/2	12,0	24,0	11,0	46,0	13,0	16,0	25	01 000 080

Gewindeanschluß-Stecker lang

Adaptor parallel (long)

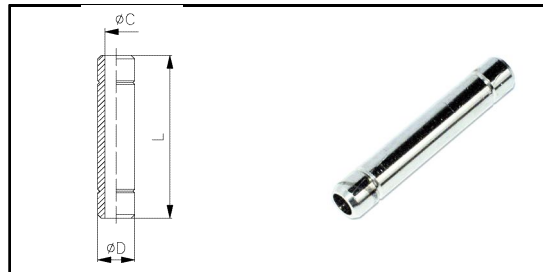
D	G	C	B	H	L	SW	VE	Art.Nr.
4	M7	2,0	-	6,0	38,0	10,0	50	01 000 081
4	G1/8	2,0	15,0	6,0	39,8	13,0	50	01 000 082
6	M7	4,0	-	6,0	42,0	10	50	01 000 083
6	G1/8	4,0	13,0	6,0	42,2	13,0	50	01 000 084
6	G1/4	4,0	18,0	8,0	47,2	14,0	50	01 000 085
8	G1/8	6,0	15,0	6,0	46,7	13,0	50	01 000 086
8	G1/4	6,0	18,0	8,0	49,7	14,0	50	01 000 087
10	G1/4	8,0	18,0	8,0	55,5	14,0	50	01 000 088



Doppelstecker

Double Connector

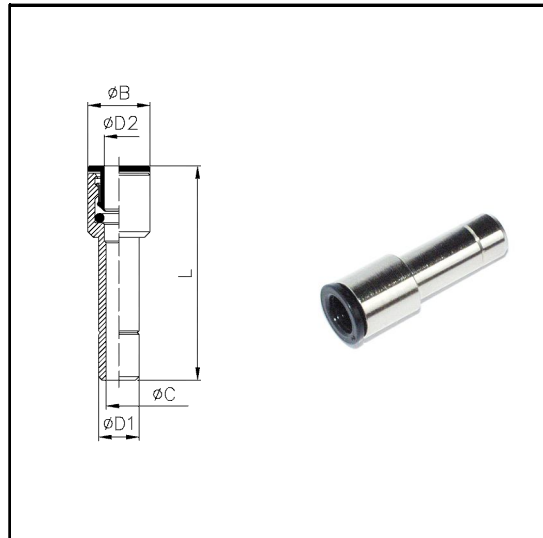
D	C	L	VE	Art.Nr.
4	2,0	32,0	100	01 000 089
5	3,0	33,0	50	01 000 090
6	4,0	35,0	50	01 000 091
8	6,0	38,0	50	01 000 092
10	8,0	45,5	50	01 000 093
12	10,0	48,0	25	01 000 094
14	12,0	52,0	20	01 000 095



Reduzier-Stecker

Reducer

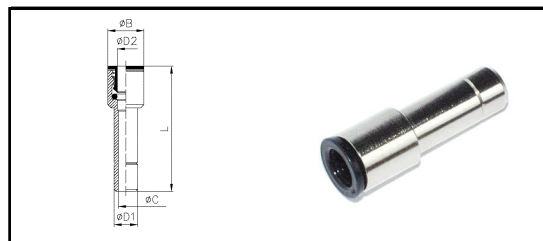
ϕD	D2	C	B	L	VE	Art.Nr.
5	4	3,0	9,0	32,5	50	01 000 096
6	4	3,0	9,0	28,5	50	01 000 097
6	5	4,0	9,5	35,5	50	01 000 098
8	4	3,0	9,0	31,0	50	01 000 099
8	5	4,0	9,5	32,5	50	01 000 100
8	6	5,0	10,5	33,5	50	01 000 101
10	6	5,0	10,5	36,5	50	01 000 102
10	8	7,0	13,0	38,0	50	01 000 103
12	4	3,0	13,0	39,5	25	01 000 104
12	6	5,0	13,0	39,5	25	01 000 105
12	8	7,0	13,0	38,5	25	01 000 106
12	10	9,0	15,0	41,0	25	01 000 107
14	4	3,0	15,0	43,0	25	01 000 108
14	6	5,0	15,0	43,0	25	01 000 109
14	8	7,0	15,0	43,0	25	01 000 110
14	10	9,0	15,0	43,0	25	01 000 111
14	12	11,0	17,0	43,0	25	01 000 112



Erweiterung

Extension

ϕD	D2	C	B	L	VE	Art.Nr.
4	6	2,0	10,5	33,5	50	01 000 113
6	8	4,0	13,0	38,5	50	01 000 114



Verschlussstecker

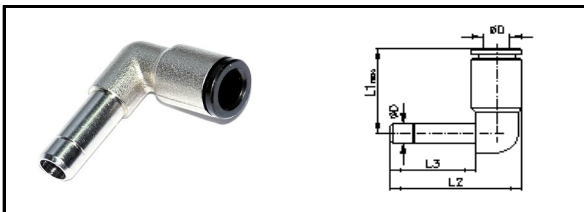
Plug



D	B	L	VE	Art.Nr.
4	5,0	25,5	50	01 000 115
5	6,0	26,5	50	01 000 116
6	7,0	27,5	50	01 000 117
8	9,0	30,5	50	01 000 118
10	11,0	35,0	50	01 000 119
12	13,0	37,0	25	01 000 120
14	15,0	40,0	25	01 000 121

Winkelanschluß

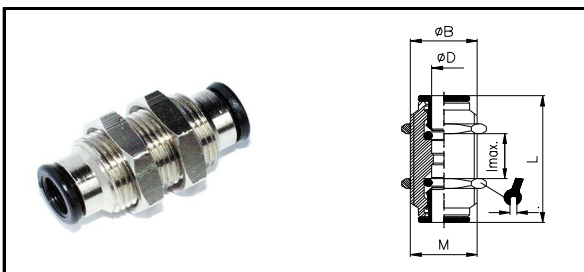
Elbow-Connector



D	L1	L2	L3	VE	Art.Nr.
4	18	24	15,5	50	01 000 122
6	20	32	18,0	50	01 000 123
8	24	38,5	19,5	50	01 000 124
10	26	43,1	24,0	25	01 000 125
12	28	48,5	25,0	25	01 000 126

Schottverschraubung

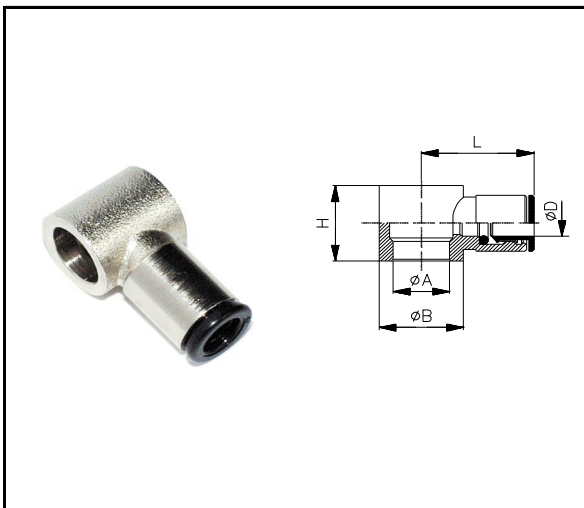
Bulkhead Connector



D	M	Imax	L	SW	VE	Art.Nr.
4	M10x1	8,0	32,0	13,0	50	01 000 127
5	M11x1	8,0	33,0	14,0	50	01 000 128
6	M14x1	8,0	33,5	17,0	50	01 000 129
8	M16x1	10,0	37,0	18,0	50	01 000 130
10	M17x1	12,0	39,5	20,0	25	01 000 131
12	M20x1	17,0	42,0	24,0	25	01 000 132
14	M22x1	18,0	45,0	25,0	25	01 000 133

Ringstück 1-fach

Single Banjo Body

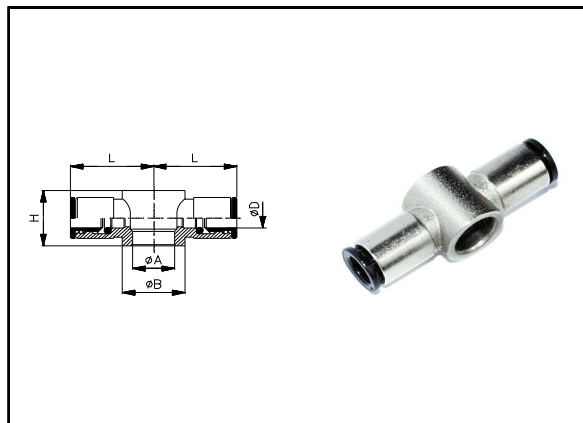


D	G	D	B	H	L	VE	Art.Nr.
4	M5	5,0	7,0	9,0	18,5	50	01 000 134
4	G1/8	9,9	14,0	15,0	21,0	50	01 000 135
4	M6	6,0	14	9,0	21,0	50	01 000 136
5	M5	5,0	7,0	9,0	19,5	50	01 000 137
5	G1/8	9,9	14,0	15,0	22,5	50	01 000 138
6	M5	5,1	10	10,5	19,0	50	01 000 139
6	G1/8	9,9	14,0	15,0	23,0	50	01 000 140
6	G1/4	13,3	18,0	17,0	24,0	50	01 000 141
8	G1/8	9,9	14,0	15,0	24,5	50	01 000 142
8	G1/4	13,3	18,0	17,0	26,0	50	01 000 143
8	G3/8	16,6	21,0	20,0	28,0	50	01 000 144
10	G1/4	13,3	18,0	17,0	27,0	50	01 000 145
10	G3/8	16,6	21,0	20,0	29,0	25	01 000 146
12	G1/4	13,3	18,0	17,0	28,0	25	01 000 147
12	G3/8	16,6	21,0	20,0	30,0	25	01 000 148

Ringstück 2-fach

Double Banjo Body

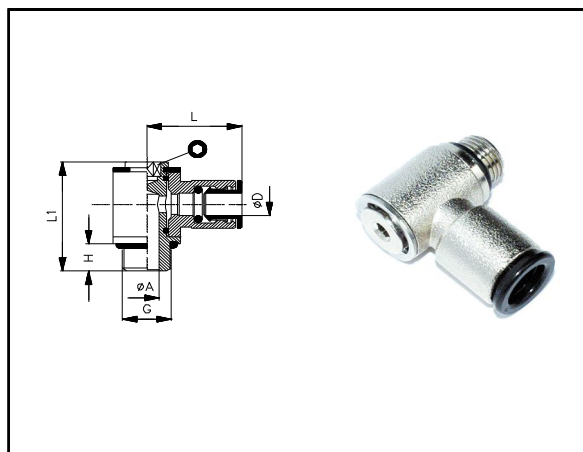
D	G	D	B	H	L	VE	Art.Nr.
4	M5	5,0	7,0	9,0	18,5	50	01 000 149
4	G1/8	9,9	14,0	15,0	21,0	50	01 000 150
5	M5	5,0	7,0	9,5	19,5	50	01 000 151
5	G1/8	9,9	14,0	15,0	22,5	50	01 000 152
6	G1/8	9,9	14,0	15,0	23,0	50	01 000 153
6	G1/4	13,3	18,0	17,0	24,0	50	01 000 154
8	G1/8	9,9	14,0	15,0	24,5	50	01 000 155
8	G1/4	13,3	18,0	17,0	26,0	50	01 000 156
8	G3/8	16,6	21,0	20,0	28,0	50	01 000 157
10	G1/4	13,3	18,0	17,0	27,0	50	01 000 158
10	G3/8	16,6	21,0	20,0	29,0	25	01 000 159
12	G3/8	16,6	21,0	20,0	30,0	25	01 000 160



Winkeleinschraubverschraubung 360° drehbar

Complete Single Banjo (rotating under pressure 360°)

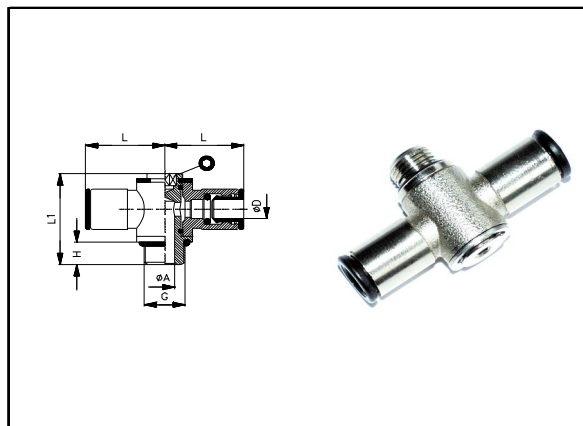
ØD	G	D	H	L	L1	D	VE	Art.Nr.
4	M5	2,0	4,0	18,5	17,0	4	50	01 000 161
4	G1/8	5,5	6,0	21,0	25,0	4	50	01 000 162
5	M5	2,0	4,0	19,5	17,0	5	50	01 000 163
5	G1/8	5,5	6,0	22,5	25,0	5	50	01 000 164
6	G1/8	5,5	6,0	23,5	25,0	6	50	01 000 165
8	G1/8	5,5	6,0	24,5	25,0	8	50	01 000 166
6	G1/4	7,8	8,0	24,5	29,3	6	50	01 000 167
8	G1/4	7,8	8,0	26,0	29,3	8	50	01 000 168
10	G1/4	7,8	8,0	27,0	29,3	10	25	01 000 169
8	G3/8	10,0	9,0	29,0	34,0	8	25	01 000 170
10	G3/8	10,0	9,0	29,0	34,0	10	25	01 000 171
12	G1/4	7,8	8,0	29,3	28,0	4	25	01 000 172
12	G3/8	10,0	9,0	29,0	34,0	12	25	01 000 173



T-Einschraubverschraubung 360° drehbar

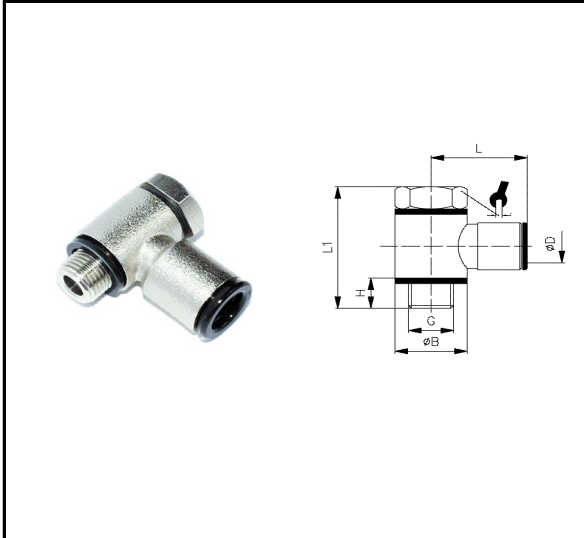
Complete Double Banjo (rotating under pressure 360°)

D	G	D	H	L	L1	VE	Art.Nr.
4	M5	2,0	4,0	18,5	17,0	50	01 000 174
4	G1/8	5,5	6,0	21,0	25,0	50	01 000 175
5	M5	2,0	4,0	19,5	17,0	50	01 000 176
5	G1/8	5,5	6,0	22,5	25,0	50	01 000 177
6	G1/8	5,5	6,0	23,0	25,0	50	01 000 178
8	G1/8	5,5	6,0	24,0	25,0	50	01 000 179
6	G1/4	7,8	8,0	24,0	29,3	50	01 000 180
8	G1/4	7,8	8,0	26,0	29,3	50	01 000 181
10	G1/4	7,8	8,0	27,0	29,3	25	01 000 182
8	G3/8	10,0	9,0	29,0	34,0	25	01 000 183
10	G3/8	10,0	9,0	29,0	34,0	25	01 000 184
12	G3/8	10,0	9,0	30,0	34,0	25	01 000 185



Winkelschwenkverschraubung

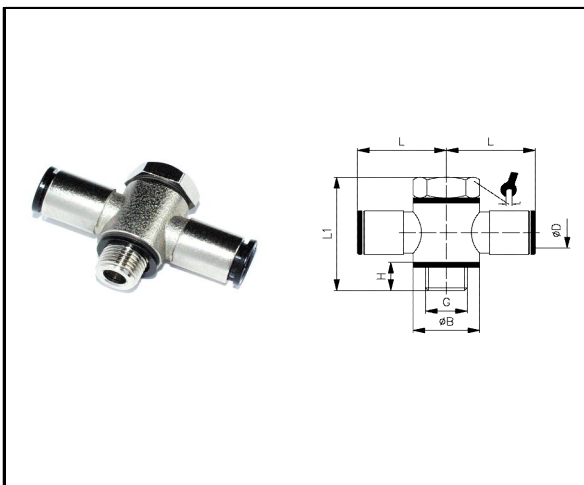
Complete single swivel Banjo



D	G	B	H	L1	L	SW	VE	Art.Nr.
4	M5	7,0	4,5	17,5	18,5	8,0	50	01 000 186
4	M6	14,0	4,5	18,0	21,0	9,0	50	01 000 187
4	G1/8	14,0	7,5	28,0	21,0	14,0	50	01 000 188
5	M5	7,0	4,5	17,5	19,5	8,0	50	01 000 189
5	G1/8	14,0	7,5	28,0	22,5	14,0	50	01 000 190
6	M5	10,0	4,5	17,5	19,0	8,0	50	01 000 191
6	G1/8	14,0	7,5	28,0	22,5	14,0	50	01 000 192
6	G1/4	18,0	9,0	33,0	24,0	17,0	50	01 000 193
8	G1/8	14,0	7,5	28,0	24,5	14,0	25	01 000 194
8	G1/4	18,0	9,0	33,0	26,0	17,0	25	01 000 195
8	G3/8	21,0	10,0	37,0	28,0	22,0	25	01 000 196
10	G1/4	18,0	9,0	33,0	27,0	17,0	25	01 000 197
10	G3/8	21,0	10,0	37,0	29,0	22,0	25	01 000 198
12	G1/4	18,0	9,0	33,0	28,0	17,0	25	01 000 199
12	G3/8	21,0	10,0	37,0	30,0	22,0	10	01 000 200

T-Schwenkverschraubung

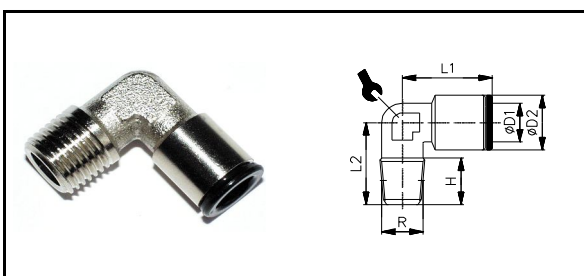
Complete double swivel Banjo



D	G	B	H	L1	L	SW	VE	Art.Nr.
4	M5	7,0	4,5	17,5	18,5	8,0	50	01 000 201
4	G1/8	14,0	7,5	28,0	21,0	14,0	50	01 000 202
5	M5	7,0	4,5	17,5	19,5	8,0	50	01 000 203
5	G1/8	14,0	7,5	28,0	22,5	14,0	50	01 000 204
6	G1/8	14,0	7,5	28,0	22,5	14,0	50	01 000 205
6	G1/4	18,0	9,0	33,0	24,0	17,0	50	01 000 206
8	G1/8	14,0	7,5	28,0	24,5	14,0	25	01 000 207
8	G1/4	18,0	9,0	33,0	26,0	17,0	25	01 000 208
8	G3/8	21,0	10,0	37,0	28,0	22,0	25	01 000 209
10	G1/4	18,0	9,0	33,0	27,0	17,0	25	01 000 210
10	G3/8	21,0	10,0	37,0	29,0	22,0	25	01 000 211
12	G3/8	21,0	10,0	37,0	30,0	22,0	10	01 000 212

Winkeleinschraub konisch

Threaded Elbow conical

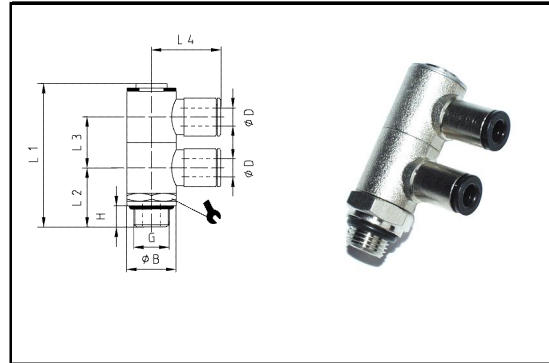


øD	R	H	L1	L2	SW	VE	Art.Nr.
4	R1/8	8,0	16,1	17,5	10,0	50	01 000 213
6	R1/8	8,0	20,0	17,5	12,0	50	01 000 214
8	R1/8	9,0	22,5	18,5	12,0	25	01 000 215
8	R1/4	12,0	22,5	22,0	12,0	25	01 000 216

Winkleinschraubverschraubung 2-fach 360° drehbar

Complete double Banjo (rotating under pressure) 360°

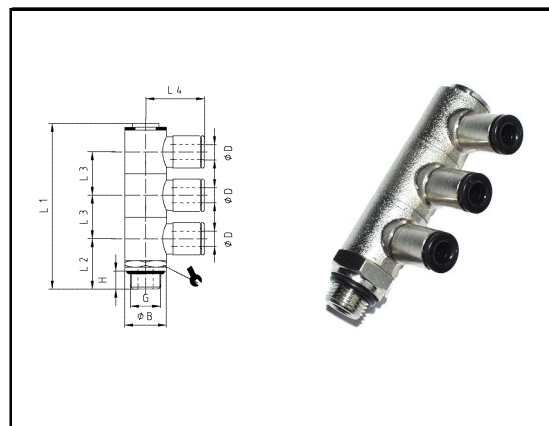
ØD	G	B	H	L1	L2	L3	L4	SW	VE	Art.Nr.
4	G1/8	13	6	44	19	15	21	14	25	01 000 217
6	G1/8	13	6	44	19	15	23	14	25	01 000 218
8	G1/8	13	6	44	19	15	24	14	25	01 000 219
6	G1/4	17	8	50	22,5	17	24	17	25	01 000 220
8	G1/4	17	8	50	22,5	17	26	17	10	01 000 221
10	G1/4	17	8	50	22,5	17	27	17	10	01 000 222
12	G1/4	17	8	50	22,5	17	28	17	10	01 000 223



Winkleinschraubverschraubung 3-fach 360° drehbar

Complete triple Banjo (rotating under pressure) 360°

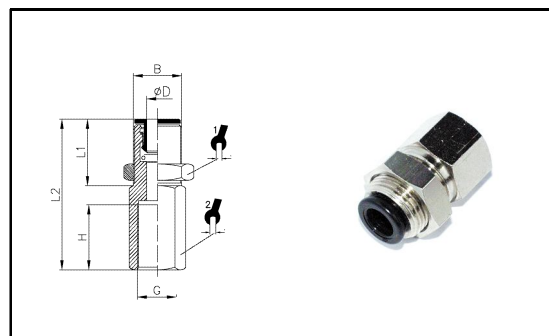
ØD	G	B	H	L1	L2	L3	L4	SW	VE	Art.Nr.
4	G1/8	13	6	59	19	15	21	14	25	01 000 224
6	G1/8	13	6	59	19	15	23	14	25	01 000 225
8	G1/8	13	6	59	19	15	24	14	25	01 000 226
6	G1/4	17	8	67	22,5	17	24	17	25	01 000 227
8	G1/4	17	8	67	22,5	17	26	17	10	01 000 228
10	G1/4	17	8	67	22,5	17	27	17	10	01 000 229
12	G1/4	17	8	67	22,5	17	28	17	10	01 000 230



Manometer - Schottverschraubung

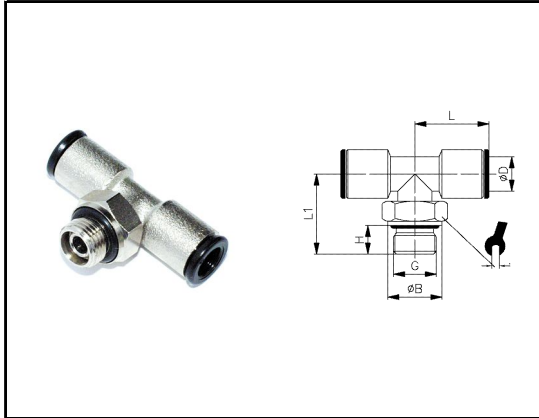
Straight female Adaptor

D	G	B	H	L1	L2	SW1	SW2	VE	Art.Nr.
4	G1/8	M10x	9,5	16,0	30,0	14,0	17,0	100	01 000 231
6	G1/8	M14x	9,5	16,0	31,0	17,0	17,0	100	01 000 232
6	G1/4	M14x	13,5	16,0	35,0	17,0	17,0	50	01 000 233
8	G1/8	M16x	9,5	16,0	36,0	19,0	17,0	50	01 000 234
8	G1/4	M16x	13,5	16,0	36,0	19,0	17,0	50	01 000 235



T - Verschraubung drehbar

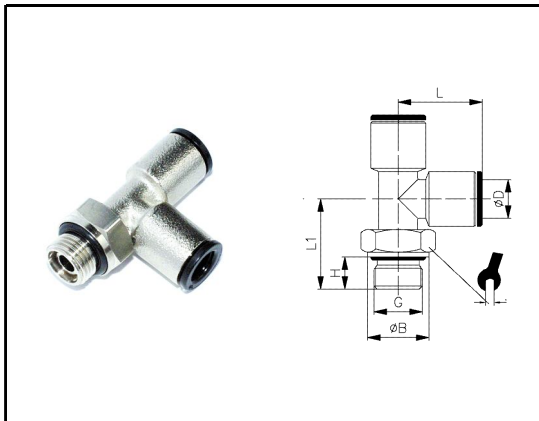
Swivel T parallel Adaptor



ØD	G	B	H	L	L1	SW	VE	Art.Nr
4	M5	8,0	4,0	17,5	20,0	8,0	100	01 000 236
4	G1/8	12,8	5,8	17,5	18,5	13,0	100	01 000 237
4	G1/4	12,8	8,0	19,0	22,5	16,0	100	01 000 238
6	G1/8	12,8	5,8	19,5	18,5	13,0	100	01 000 239
6	G1/4	15,8	8,0	21,0	22,5	16,0	100	01 000 240
8	G1/8	12,8	5,8	23,0	20,5	13,0	100	01 000 241
8	G1/4	15,8	8,0	23,0	22,5	16,0	100	01 000 242
8	G3/8	17,8	9,0	25,5	25,5	18,0	50	01 000 243
10	G1/4	15,8	8,0	25,5	24,5	16,0	50	01 000 244
10	G3/8	17,8	9,0	25,5	25,5	18,0	50	01 000 245
12	G1/4	15,8	8,0	27,0	24,5	16,0	50	01 000 246
12	G3/8	20,0	9,0	27,0	26,5	18,0	25	01 000 247
14	G1/2	25,0	11,0	31,0	30,0	21,0	25	01 000 248

L - Verschraubung drehbar

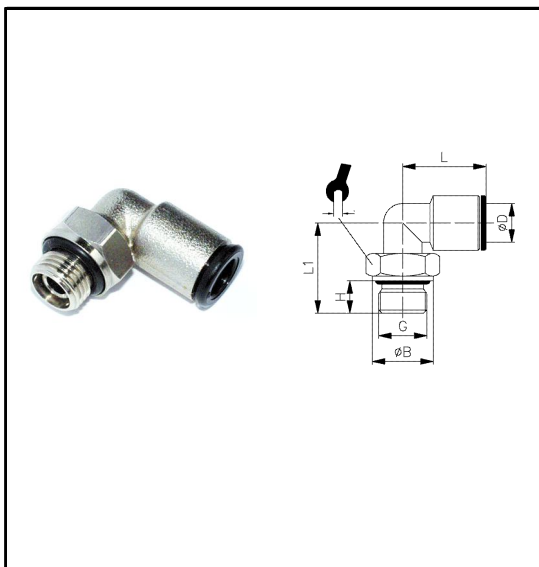
Swivel L parallel Adaptor



ØD	G	B	H	L	L1	SW	VE	Art.Nr.
4	M5	8,0	4,0	17,5	20,0	8,0	100	01 000 249
4	G1/8	12,8	5,8	17,5	18,5	13,0	100	01 000 250
4	G1/4	12,8	8,0	19,0	22,5	16,0	100	01 000 251
6	G1/8	12,8	5,8	19,5	18,5	13,0	100	01 000 252
6	G1/4	15,8	8,0	21,0	22,5	16,0	100	01 000 253
8	G1/8	12,8	5,8	23,0	20,5	13,0	100	01 000 254
8	G1/4	15,8	8,0	23,0	22,5	16,0	100	01 000 255
8	G3/8	17,8	9,0	25,5	25,5	18,0	50	01 000 256
10	G1/4	15,8	8,0	25,5	24,5	16,0	50	01 000 257
10	G3/8	17,8	9,0	25,5	25,5	18,0	50	01 000 258
12	G1/4	15,8	8,0	27,0	24,5	16,0	50	01 000 259
12	G3/8	20,0	9,0	21,0	26,5	18	25	01 000 260
14	G1/2	25,0	11,0	31,0	30,5	21	25	01 000 261

Winkelverschraubung drehbar

Swivel elbow male adaptor parallel

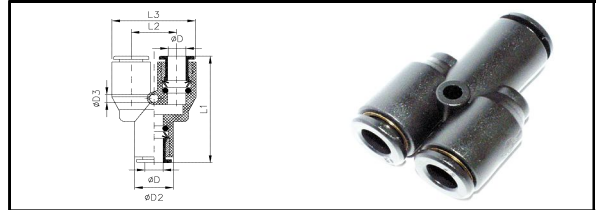


D	G	B	H	L	L1	SW	VE	Art.Nr.
4	M5	8,0	4,0	17,5	20,0	8,0	100	01 000 262
4	M7	10,5	6,0	21,5	18,0	11	100	01 000 263
4	G1/8	12,8	5,8	17,5	18,5	13,0	100	01 000 264
4	G1/4	12,8	8,0	19,0	22,5	16,0	100	01 000 265
6	M5	8,0	4,0	18,5	19,5	8,0	100	01 000 266
6	M7	10,5	6,0	21,5	18,0	11,0	100	01 000 267
6	G1/8	12,8	5,8	19,5	18,5	13,0	100	01 000 268
6	G1/4	15,8	8,0	21,0	22,5	16,0	100	01 000 269
8	G1/8	12,8	5,8	23,0	20,5	13,0	100	01 000 270
8	G1/4	15,8	8,0	23,0	22,5	16,0	100	01 000 271
8	G3/8	17,8	9,0	25,5	25,5	18,0	50	01 000 272
10	G1/4	15,8	8,0	25,5	24,5	16,0	50	01 000 273
10	G3/8	17,8	9,0	25,5	25,5	18,0	50	01 000 274
12	G1/4	15,8	8,0	27,0	24,5	16,0	50	01 000 275
12	G3/8	20,0	9,0	27,0	26,0	18,0	25	01 000 276
12	G1/2	25,0	11,0	27,0	30,5	21,0	25	01 000 277
14	G3/8	20,0	9,0	31,0	28,0	18,0	25	01 000 278
14	G1/2	25,0	11,0	31,0	30,5	21,0	25	01 000 279

Y - Verbinder Kunststoff

Y - Connector plastic

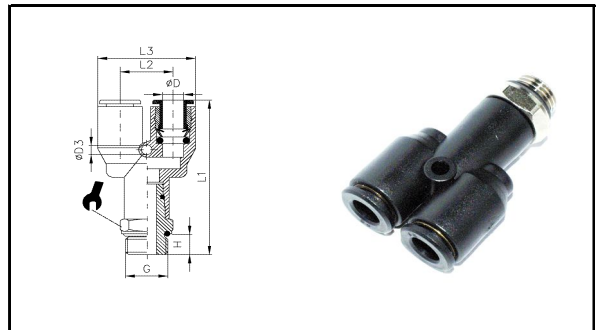
ØD	D2	D3	L1	L2	L3	VE	Art.Nr.
4	9,7	2,7	27,0	10,7	20,5	25	01 000 280
6	12,0	3,2	34,0	13,0	25,0	25	01 000 281
8	14,0	3,2	36,0	14,0	20,5	25	01 000 282
10	16,0	3,2	39,0	19,0	35,0	10	01 000 283



Y - Einschraubverschraubung Kunststoff

Y - threaded Connector plastic

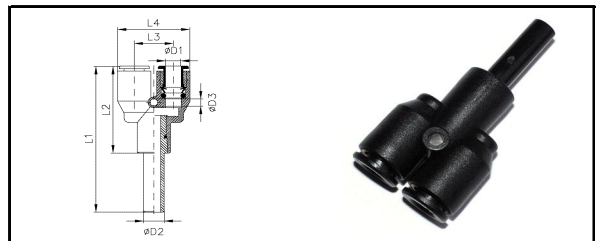
ØD	G	D2	D3	L1	L2	L3	H	SW	VE	Art.Nr.
4	M5	9,7	2,7	34,0	10,7	20,5	4,0	9,0	25	01 000 284
4	G1/8	9,7	2,7	34,0	10,7	20,5	5,0	13,0	25	01 000 285
4	G1/4	9,7	2,7	36,0	10,7	20,5	6,5	16,0	25	01 000 286
6	G1/8	12,0	3,2	41,0	13,0	25,0	5,0	13,0	25	01 000 287
6	G1/4	12,0	3,2	43,0	13,0	25,0	6,5	16,0	25	01 000 288
8	G1/8	14,0	3,2	43,0	15,0	29,0	5,0	14,0	25	01 000 289
8	G1/4	14,0	3,2	45,0	15,0	29,0	6,5	16,0	10	01 000 290
8	G3/8	14,0	3,2	47,0	15,0	29,0	7,0	20,0	10	01 000 291



Y - Verteiler Kunststoff

Y - Connection plastic

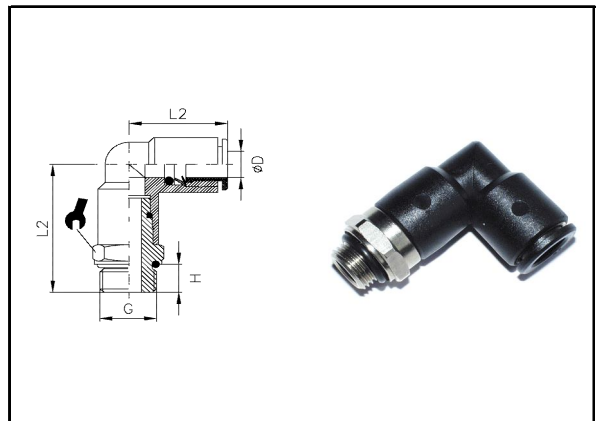
D	ØD	D2	D3	L1	L2	L3	L4	VE	Art.Nr.
4	4	2,7	9,7	40,0	25,0	10,7	20,5	25	01 000 292
4	6	2,7	9,7	43,0	25,0	10,7	20,5	25	01 000 293
4	8	2,7	9,7	45,0	25,0	10,7	20,5	25	01 000 294
6	6	3,2	12,0	50,0	32,0	13,0	25,0	10	01 000 295
8	8	3,2	14,0	54,0	34,0	15,0	29,0	10	01 000 296



Winkelschraubverschraubung drehbar Kunststoff

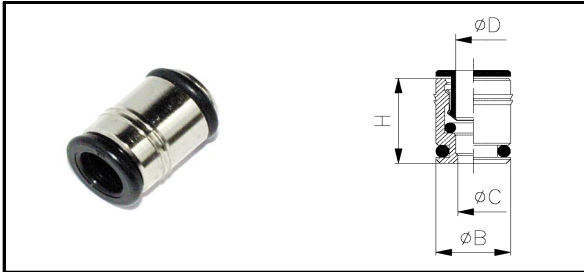
Rotary plastic elbow male Connection

ØD	G	H	L1	L2	SW	VE	Art.Nr.
4	M5	4,0	23,5	15,0	9,0	25	01 000 297
4	G1/8	5,0	23,5	15,0	13,0	25	01 000 298
4	G1/4	6,5	25,5	15,0	16,0	25	01 000 299
6	M5	4,0	26,0	19,0	12,0	25	01 000 300
6	G1/8	5,0	27,5	19,0	13,0	25	01 000 301
6	G1/4	6,5	29,5	19,0	16,0	25	01 000 302
8	G1/8	5,0	30,5	20,5	14,0	10	01 000 303
8	G1/4	6,5	32,5	20,5	16,0	10	01 000 304
8	G3/8	7,0	34,5	20,5	20,0	10	01 000 305
10	G1/4	6,5	37,0	23,5	16,0	10	01 000 306
10	G3/8	7,0	38,0	23,5	20,0	10	01 000 307



Einpreß - Patrone

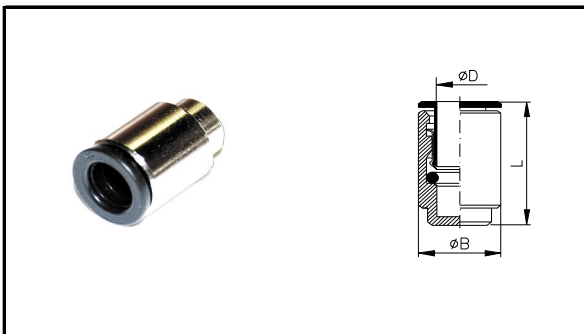
Cartridge for plastic



D	C	B	H	VE	Art.Nr.
4	2,9	9,2	14,0	100	01 000 308
6	5,0	11,2	14,5	50	01 000 309
8	7,0	13,2	16,5	50	01 000 310
10	9,0	15,0	18,5	50	01 000 311

Schlauch - Verschuß

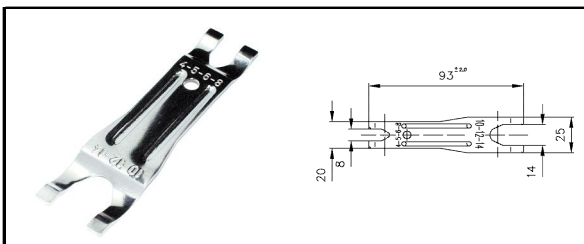
Plug



D	B	L	VE	Art.Nr.
4	9	13,5	50	01 000 312
6	11	15,0	50	01 000 313
8	13	17,5	50	01 000 314
10	15	18,5	50	01 000 315
12	17	19,2	25	01 000 316

Lösewerkzeug

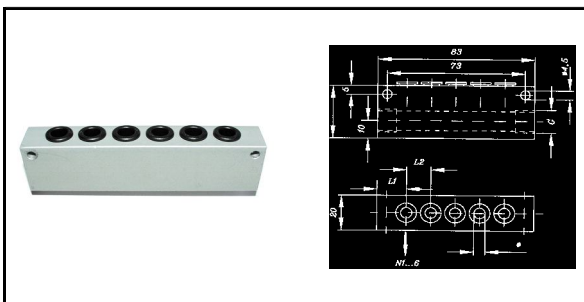
Disconnecting Key



ϕD	D2	L	VE	Art.Nr.
8	14	93,0	10	01 000 317

Mehrfach - Steckverteiler

Multi - Adapter

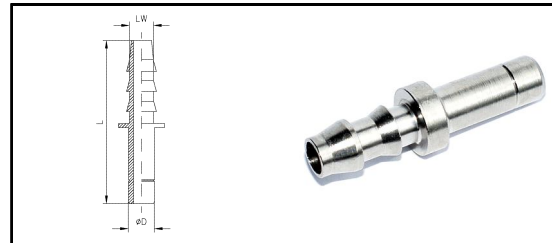


D	G	L1	L2	N	VE	Art.Nr.
4	G1/4	14	11	6	10	01 000 318
6	G1/4	15,5	13	5	10	01 000 319
8	G3/8	17,5	16	4	10	01 000 320

Schlauch - Stecker

Tube Connector

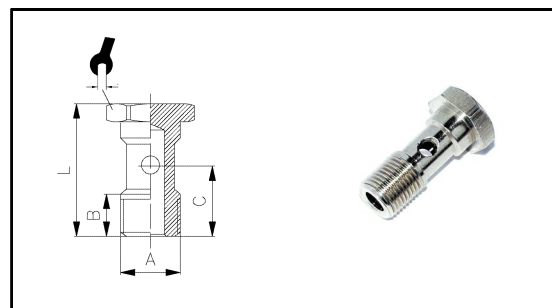
D	ØD	D2	L	VE	Art.Nr.
6	4	6	37,0	50	01 000 321
8	6	6	38,0	50	01 000 322
8	6	8	43,0	50	01 000 323
12	10	13	57,0	25	01 000 324
14	11	14	55,0	2	01 000 325



Hohlschraube 1 - fach

Banjo Stem single

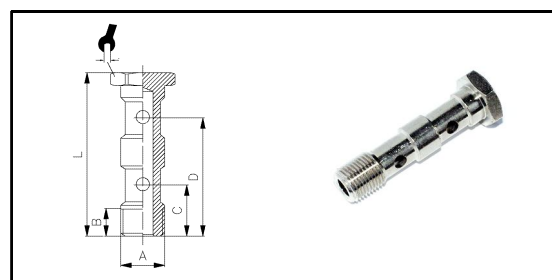
D	B	C	L	SW	VE	Art.Nr.
M5	4,5	9,6	17,5	8,0	100	01 000 326
G1/4	7,5	15,0	28,0	14,0	50	01 000 327
G1/2	11	18,0	33,0	17,0	50	01 000 328
G3/4	12	21,5	37,0	22,0	50	01 000 329
G1	14,5	23,5	42,0	27,0	25	01 000 330



Hohlschraube 2 - fach

Banjo Stem double

D	B	C	D	L	SW	VE	Art.Nr.
G1/4	9	15,0	31,0	44,5	14,0	50	01 000 331
G1/2	11	17,0	36,0	51,5	17,0	50	01 000 332
G3/4	12	20,5	42,0	58,6	22,0	50	01 000 333
G1	13	23,5	49,5	68,0	27,0	25	01 000 334



Hohlschraube 3 - fach

Banjo Stem triple

D	B	C	D	M	L	SW	VE	Art.Nr.
G1/4	9	16	32,5	48	60	14	50	01 000 335
G1/2	11	18,5	37	55,5	70,5	17	50	01 000 336
G3/4	12	20,5	41	61,5	80	22	50	01 000 337
G1	13	23,5	47	70,5	91	27	25	01 000 338

