

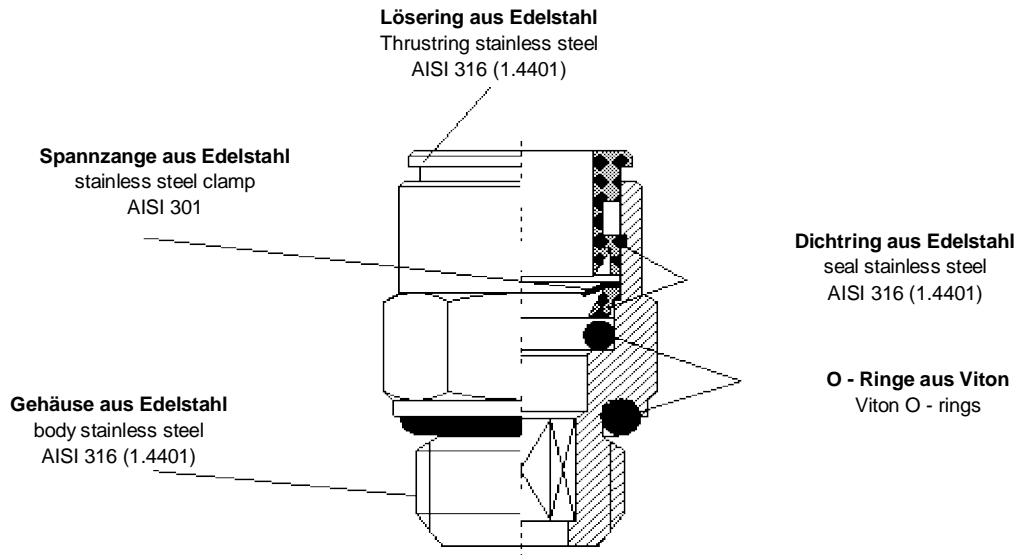
Steckverschraubungen VA

Push - in Fittings SS



Steckverschraubungen VA

Push - in Fittings SS



Technische Daten für CIC - Steckverschraubungen Baureihe 03, Edelstahl

Toleranz für Polyurethan-Schlauch PU

Rohr-Außen-Ø	Toleranz des Außen-Ø
4 und 5 mm	+0,05 ... -0,08
6 bis 14mm	+0,05 ... -0,1

Toleranz für Polyamid-Schlauch PA11/12

Rohr-Außen-Ø	Toleranz des Außen-Ø
6 bis 14mm	+0,05 ... -0,1

Technische Daten

Betriebstemperatur : -25 ... +120°C
 Geeignete Medien : Druckluft, alle flüssigen und gasförmigen Medien, die mit den Werkstoffen der Komponente kompatibel sind (s.unten)
 Vakuum : max. 98%
 Werkstoffe : Gehäuse aus Edelstahl AISI 316 (1.4401)
 Dichtungen Viton
 Spannzange Edelstahl AISI 301
 Druckring aus Edelstahl AISI 316 (1.4401)
 Gewinde : zylindrisch BSPP mit O-Ringabdichtung (Viton)

Anwendungsgebiete : für alle flüssigen und gasförmigen Medien die mit diesen Bestandteilen kompatibel sind:
 z.B. Kalt- und Warmwasser, Dampf, Fette und Öle, Industrieabwässer. Für Vakuum geeignet.

Technical Data for CIC - push-in Fittings Type 03, stainless steel

Tolerances for PA11 and PA12 pipes (Polyamide)

outside pipe Ø	tolerance of outside pipe Ø
4 and 5 mm	+0,05 ... -0,08
6 to 14mm	+0,05 ... -0,1

Tolerances for Polyurethane (PU) pipes

outside pipe Ø	tolerance of outside pipe Ø
6 to 14mm	+0,05 ... -0,1

Technical Data

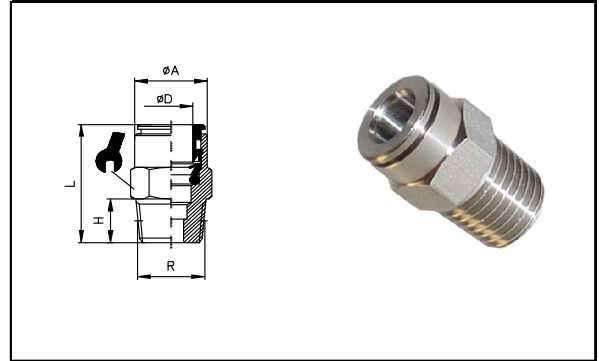
Working temperature : -25 ... +120°C
 Fluids : compressed air, liquid and gas medias, which are compatible with the various fitting components (s.above)
 Vakuum : max. 98%
 Materials : body stainless steel AISI 316 (1.4401)
 Viton gaskets
 Clamp stainless steel AISI 301
 stainless steel ring AISI 316 (1.4401)
 Threading : parallel BSPP with viton O-Ring seal

Fields of application : for all liquid and gas media, which are compatible with the various fitting components i.e. cold and hot water, steam, greases and oils, industrial liquids.
 Vacuum - compatible

gerade Einschraubverschraubung konisch

straight male Adaptor

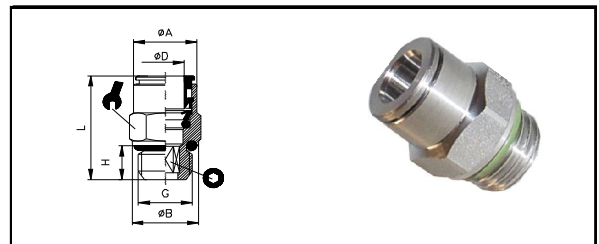
ØD	G	ØA	H	L	SW	VE	Art.Nr.
4	R1/8	9	7,5	15,5	10	10	03 000 001
4	R1/4	9	11,0	20,0	14	10	03 000 002
6	R1/8	12	7,5	20,5	12	10	03 000 003
6	R1/4	12	11,0	20,0	14	10	03 000 004
8	R1/8	14	7,5	24,5	14	10	03 000 005
8	R1/4	14	11,0	23,0	14	10	03 000 006
10	R1/4	16	11,0	30,0	16	10	03 000 007
10	R3/8	16	11,5	23,5	17	10	03 000 008
12	R3/8	18	11,5	27,0	18	10	03 000 009
12	R1/2	18	14,0	27,0	27	10	03 000 010



gerade Einschraubverschraubung zylindrisch

straight male Adaptor parallel

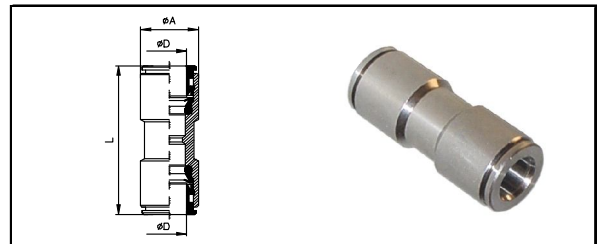
ØD	G	ØA	B	H	L	SW1	SW2	VE	Art.Nr.
4	M5	9	8	4,0	19,0	9	-	10	03 000 011
4	G1/8	9	13	5,0	16,0	13	3	10	03 000 012
6	G1/8	12	13	5,0	19,0	13	4	10	03 000 013
6	G1/4	12	16	6,5	18,5	16	4	10	03 000 014
8	G1/8	14	13	5,0	22,5	14	6	10	03 000 015
8	G1/4	14	16	6,5	21,0	16	6	10	03 000 016



gerader Verbinder

straight Connector

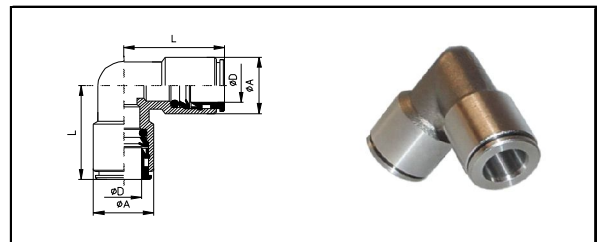
ØD	ØA	L	VE	Art.Nr.
4	9	27,0	10	03 000 017
6	9	32,5	10	03 000 018
8	12	33,0	10	03 000 019
10	12	37,5	10	03 000 020
12	14	39,5	10	03 000 021



Winkelverbinder

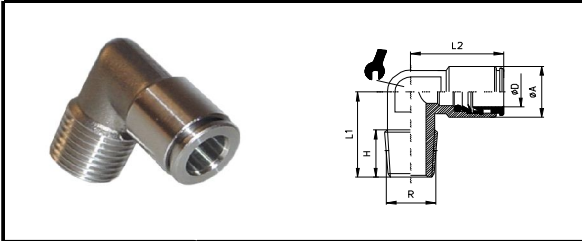
elbow Connector

ØD	ØA	L	VE	Art.Nr.
4	9	17,0	10	03 000 022
6	9	20,0	10	03 000 023
8	12	21,0	10	03 000 024
10	12	25,0	10	03 000 025
12	14	27,0	10	03 000 026



Winkeleinschraubverschraubung konisch

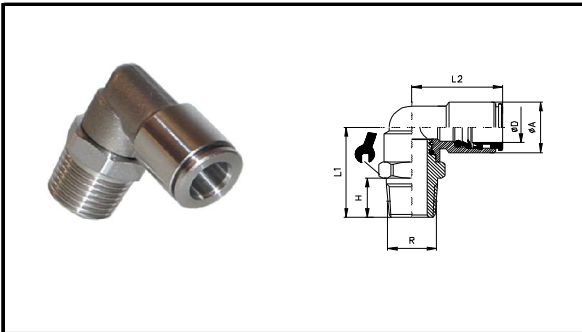
Elbow taper male Adaptor



ØD	R	ØA	H	L1	L2	SW	VE	Art.Nr.
4	R1/8	9	7,5	16,0	17,0	9	10	03 000 027
6	R1/8	12	7,5	16,0	20,0	9	10	03 000 028
6	R1/4	12	11,0	20,0	20,0	11	10	03 000 029
8	R1/8	14	7,5	17,0	21,0	11	10	03 000 030
8	R1/4	14	11,0	20,0	21,0	11	10	03 000 031

Winkeleinschraubverschraubung konisch (drehbar)

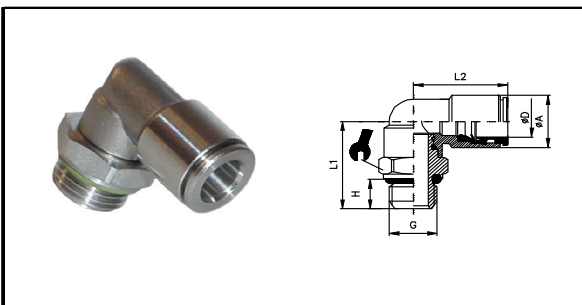
Swivel elbow Adaptor



ØD	R	ØA	H	L1	L2	SW	VE	Art.Nr.
4	R1/8	9	7,5	17,5	17,0	10	10	03 000 032
6	R1/8	12	7,5	20,0	21,5	13	10	03 000 033
6	R1/4	12	11,0	24,0	21,5	14	10	03 000 034
8	R1/8	14	7,5	20,0	22,0	13	10	03 000 035
8	R1/4	14	11,0	24,0	22,0	14	10	03 000 036
10	R1/4	16	11,0	26,5	25,5	16	10	03 000 037
10	R3/8	16	11,5	27,0	25,5	17	10	03 000 038
12	R3/8	18	11,5	30,5	28,0	20	10	03 000 039
12	R1/2	18	14,0	33,5	28,0	22	10	03 000 040

Winkeleinschraubverschraubung zylindrisch (drehbar)

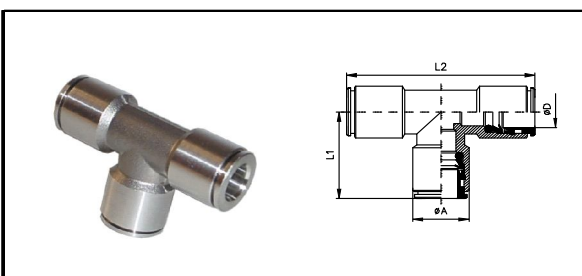
Swivel elbow Adaptor (parallel)



ØD	G	ØA	H	L1	L2	SW	VE	Art.Nr.
4	M5	9	4,0	14,0	17,0	9	10	03 000 041
4	G1/8	9	5,0	16,0	17,0	13	10	03 000 042
6	G1/8	12	5,0	18,0	21,5	13	10	03 000 043
6	G1/4	12	6,5	20,0	21,5	16	10	03 000 044
8	G1/8	14	5,0	18,0	22,0	13	10	03 000 045
8	G1/4	14	6,5	20,0	22,0	16	10	03 000 046

T - Verbinder

T - Connector

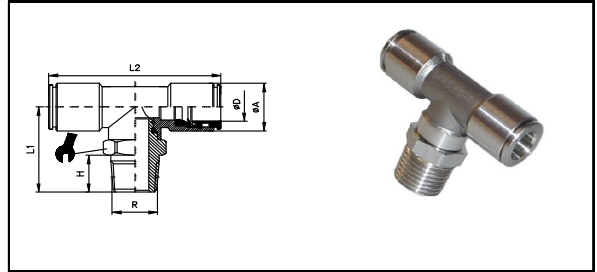


ØD	ØA	L1	L2	VE	Art.Nr.
4	9	17,0	34,0	10	03 000 047
6	9	20,0	40,0	10	03 000 048
8	12	21,0	42,0	10	03 000 049
10	12	25,0	50,0	10	03 000 050
12	14	27,0	54,0	10	03 000 051

T - Verschraubung konisch (drehbar)

Swivel tee taper Adaptor

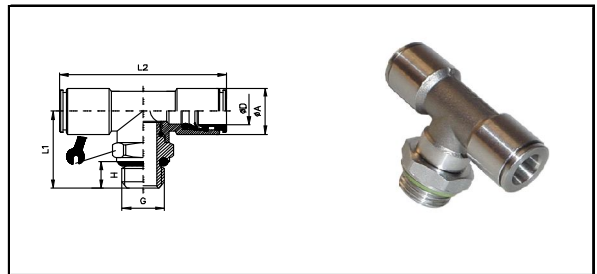
ØD	R	ØA	H	L1	L2	SW	VE	Art.Nr.
4	R1/8	9	7,5	21,5	34,0	10	10	03 000 052
6	R1/8	12	7,5	24,5	42,0	13	10	03 000 053
6	R1/4	12	11,0	28,5	42,0	14	10	03 000 054
8	R1/8	14	7,5	24,5	43,0	13	10	03 000 055
8	R1/4	14	11,0	28,5	43,0	14	10	03 000 056
10	R1/4	16	11,0	32,0	50,0	16	10	03 000 057
10	R3/8	16	11,5	32,5	50,0	18	10	03 000 058



T - Verschraubung zylindrisch (drehbar)

Swivel tee parallel Adaptor

ØD	G	ØA	H	L1	L2	SW	VE	Art.Nr.
4	M5	9	4,0	18,0	34,0	9	10	03 000 059
4	G1/8	9	5,0	20,0	34,0	13	10	03 000 060
6	G1/8	12	5,0	22,5	42,0	13	10	03 000 061
6	G1/4	12	6,5	24,5	42,0	16	10	03 000 062
8	G1/8	14	5,0	22,5	43,0	13	10	03 000 063
8	G1/4	14	6,5	24,5	43,0	16	10	03 000 064



Reduzier - Stecker

Reducer

ØD	ØD2	ØA	L	VE	Art.Nr.
4	6	9	31,0	10	03 000 065
6	8	12	33,0	10	03 000 066
8	10	14	34,5	10	03 000 067

