

# Schnell - Verschraubungen

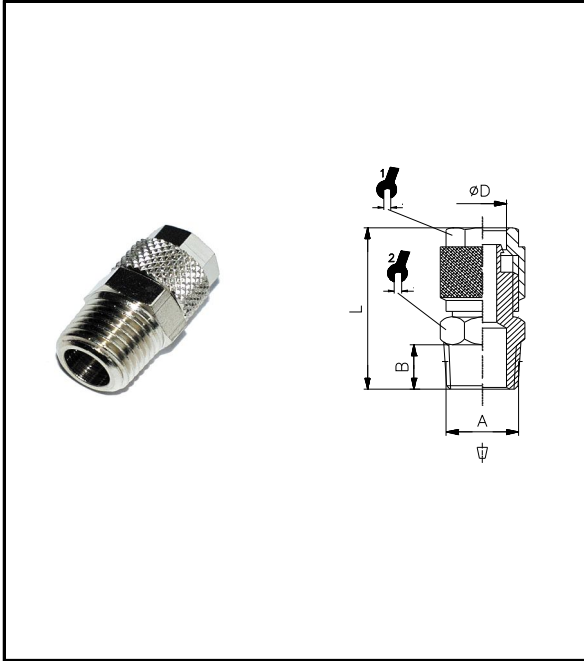
Push - On - Fittings



**Material :** Messing vernickelt  
**Gewinde :** konisch und zylindrisch nach DIN 3852 Teil 1 und 2  
**Größen :** M5 - G1/2"  
**max. Druck :** 20 bar  
**Schlauchgrößen:** 4mm - 15mm AD  
**verwendbare Schläuche:** Polyamid11  
Polyäthylen  
Polyurethan  
PVU - Vinnylan synthesefadenarmiert

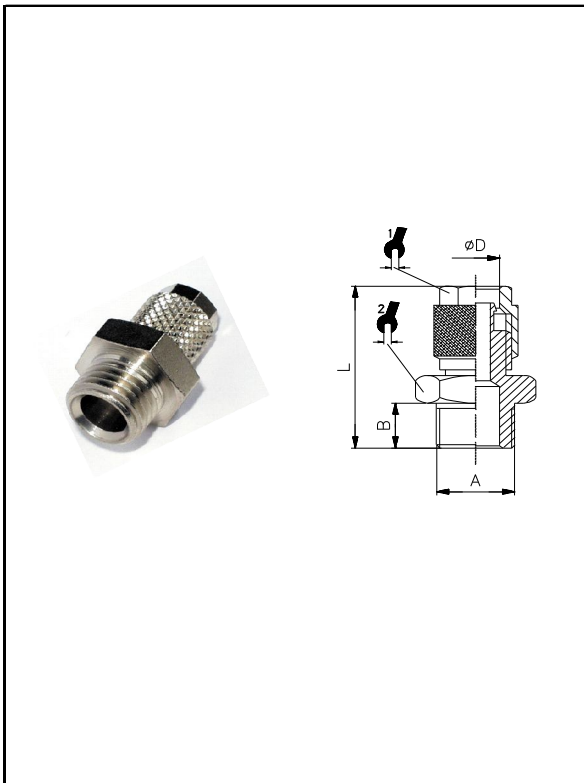
**Material :** brass nickel-plated  
**Threads :** taper and parallel according to DIN 3852 parts 1 and 2  
**Sizes :** M5 - G1/2"  
**max. pressure :** 20 bar  
**Tube dimensions:** 4mm - 15mm OD  
**suggested tubes:** Polyamide11  
Polyethylene  
Polyurethane  
PVU - Vinnylan  
-fabric-reinforced

**gerade Einschraubverschraubung, konisch**  
taper straight male adaptor



D	A	B	L	SW1	SW2	VE	Art.Nr.
4/2,7	G1/8	7,5	23,0	8	12	100	07 000 001
5/3	G1/8	7,5	23,0	8	12	100	07 000 002
6/4	G1/8	7,5	25,6	10	12	100	07 000 003
6/4	G1/4	11,0	29,6	10	14	100	07 000 004
8/6	G1/8	7,5	26,9	12	14	100	07 000 005
8/6	G1/4	11,0	30,9	12	14	100	07 000 006
8/6	G3/8	11,5	31,4	12	17	100	07 000 007
8/6	G1/2	14,0	34,0	12	22	100	07 000 008
10/8	G1/8	7,5	29,0	14	14	100	07 000 009
10/8	G1/4	11,0	33,0	14	14	100	07 000 010
10/8	G3/8	11,5	33,5	14	17	100	07 000 011
10/8	G1/2	14,0	36,5	14	22	50	07 000 012
12/10	G3/8	11,5	35,0	15	17	50	07 000 013
12/10	G1/2	14,0	38,0	15	22	50	07 000 014
15/12,5	G1/2	14,0	40,0	22	22	25	07 000 015

**gerade Einschraubverschraubung, zylindrisch**  
parallel straight male adaptor

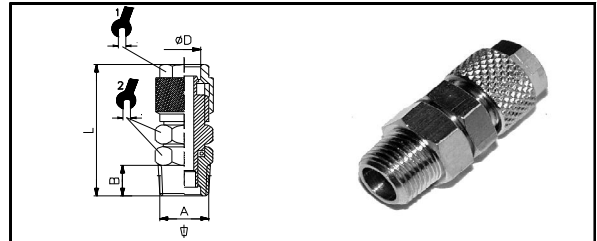


D	A	B	L	SW1	SW2	O-Ring	VE	Art.Nr.
4/2,7	M5	4,0	19,5	7	8	*	100	07 000 016
4/2,7	G1/8	6,0	25,0	7	13		100	07 000 017
4,3/3	M5	4,0	19,5	8	8		100	07 000 018
4,3/3	G1/8	6,0	25,0	8	13		100	07 000 019
5/3	M5	4,0	22,1	8	8		100	07 000 020
5/3	G1/8	6,0	25,0	8	13		100	07 000 021
6/4	M5	4,0	22,1	8	9		100	07 000 022
6/4	G1/8	6,0	25,0	10	14		100	07 000 023
6/4	G1/4	8,0	27,0	10	17		100	07 000 024
6/4	G3/8	9,0	27,6	10	19	*	100	07 000 025
6/4	G1/2	10,0	30,0	10	24	*	100	07 000 026
8/6	G1/8	6,0	25,0	12	14		100	07 000 027
8/6	G1/4	8,0	27,0	12	17		100	07 000 028
8/6	G3/8	9,0	30,0	12	19		100	07 000 029
8/6	G1/2	10,0	30,0	12	24		100	07 000 030
10/8	G1/8	6,0	27,5	14	14		50	07 000 031
10/8	G1/4	8,0	30,0	14	17		50	07 000 032
10/8	G3/8	9,0	31,0	14	19		50	07 000 033
10/8	G1/2	10,0	32,5	14	24	*	50	07 000 034
12/10	G3/8	9,0	32,5	15	19	*	50	07 000 035
12/10	G1/2	10,0	34,0	15	24	*	25	07 000 036
15/12,5	G1/2	10,0	34,0	22	24	*	25	07 000 037
12/9	G1/4	8,0	31,0	15	17		50	07 000 038
12/9	G3/8	9,0	31,0	15	20		50	07 000 039

### gerade Einschraubverschraubung drehbar, konisch

swivel straight taper adaptor

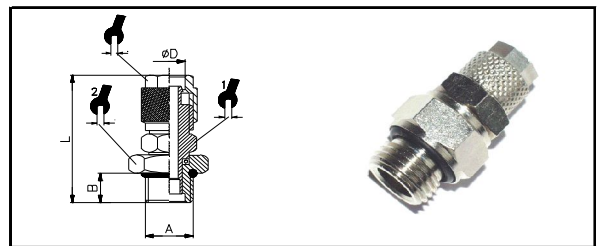
D	A	B	L	SW1	SW2	VE	Art.Nr.
6/4	G1/8	7,5	32,5	10	12	100	07 000 040
6/4	G1/4	11,0	36,5	10	14	100	07 000 041
8/6	G1/8	7,5	32,5	12	12	100	07 000 042
8/6	G1/4	11,0	36,5	12	14	100	07 000 043
10/8	G1/4	11,0	37,5	14	14	50	07 000 044
12/10	G3/8	11,5	39,5	15	17	50	07 000 045



### gerade Einschraubverschraubung drehbar, zylindrisch mit O - Ring

swivel straight parallel adaptor with o - ring

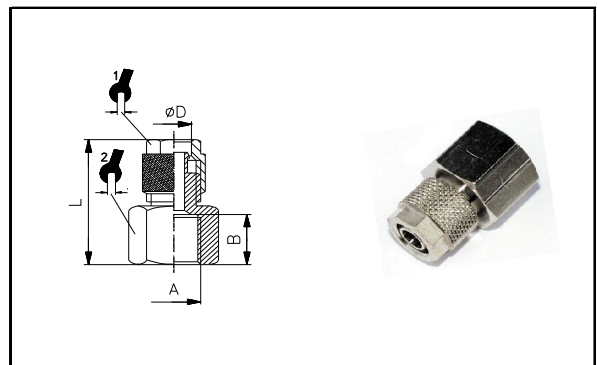
D	A	B	L	SW1	SW2	VE	Art.Nr.
6/4	G1/8	6,0	31,0	10	14	100	07 000 046
6/4	G1/4	8,0	33,5	10	17	100	07 000 047
8/6	G1/8	6,0	31,0	12	14	100	07 000 048
8/6	G1/4	8,0	33,5	12	17	100	07 000 049
10/8	G1/4	8,0	34,5	14	17	50	07 000 050
12/10	G3/8	9,0	37,0	15	19	50	07 000 051



### Manometerverschraubung

straight female adaptor

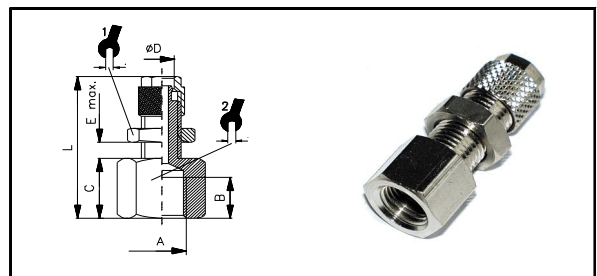
D	A	B	L	SW1	SW2	VE	Art.Nr.
6/4	G1/8	7,5	23,3	10	14	100	07 000 052
6/4	G1/4	11,0	27,0	10	17	100	07 000 053
6/4	G3/8	11,5	28,0	10	22	100	07 000 054
8/6	G1/8	7,5	24,7	12	14	100	07 000 055
8/6	G1/4	11,0	28,7	12	17	100	07 000 056
8/6	G3/8	11,5	29,2	12	22	100	07 000 057
8/6	G1/2	15,0	33,0	12	24	100	07 000 058
10/8	G1/4	11,0	30,5	14	17	100	07 000 059
10/8	G3/8	11,5	33,3	14	22	50	07 000 060
10/8	G1/2	15,0	34,5	14	24	50	07 000 061
12/10	G3/8	11,5	31,0	15	22	50	07 000 062



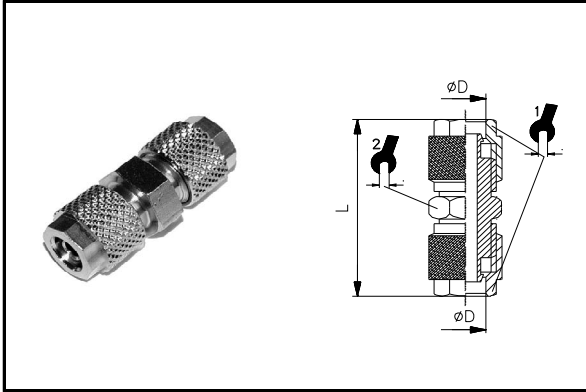
### Manometer - Schottverschraubung

straight female adaptor (special)

D	A	B	C	M	L	SW1	SW2	VE	Art.Nr.
5/3	M5	4,5	8,0	8,0	29,0	8	9	100	07 000 063
6/4	G1/8	8,0	12,0	10,0	38,0	10	13	100	07 000 064
8/6	G1/8	12,0	12,0	10,0	39,0	12	17	100	07 000 065
8/6	G1/4	12,0	18,0	10,0	45,0	12	17	100	07 000 066
12/9	G1/4	12,0	18,0	10,0	47,0	15	17	50	07 000 067
8/6	G3/8	12,0	19,0	10,0	46,0	12	22	50	07 000 068
12/9	G3/8	12,0	19,0	10,0	51,0	15	22	25	07 000 069

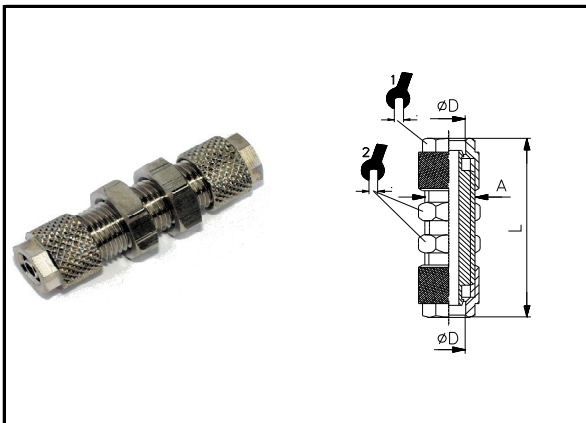


**gerader Verbinder**  
straight connector



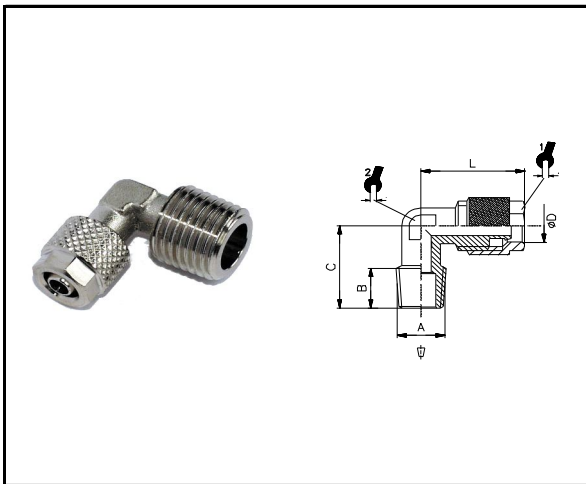
$\phi D$	L	SW1	SW2	VE	Art.Nr.
4/2,7	27,5	7	8	100	07 000 070
5/3	31,7	8	10	100	07 000 071
6/4	32,2	10	12	100	07 000 072
6/4	32,2	10	12	100	07 000 073
8/6	35,5	12	12	100	07 000 074
8/6	34,8	12	12	100	07 000 075
10/8	35,6	14	14	100	07 000 076
10/8	36,9	14	14	100	07 000 077
10/8	39,0	14	14	100	07 000 078
12/10	43,0	15	17	50	07 000 079
15/12,5	47,0	22	22	50	07 000 080

**gerader Schottverbinder**  
bulkhead connector



$\phi D$	A	L	SW1	SW2	VE	Art.Nr.
4/2,7	M6x0,5	39,6	7	9	100	07 000 081
5/3	M7x0,75	39,6	8	9	100	07 000 082
6/4	M10x1	45,5	10	14	100	07 000 083
6/4	M10x1	45,0	10	14	100	07 000 084
8/6	M12x1	47,3	12	17	100	07 000 085
8/6	M12x1	48,4	12	17	100	07 000 086
10/8	M14x1	49,8	14	17	100	07 000 087
10/8	M14x1	51,2	14	17	100	07 000 088
10/8	M14x1	54,0	14	17	100	07 000 089
12/10	M16x1	57,0	15	19	50	07 000 090
15/12,5	M20x1	59,0	22	24	50	07 000 091
12/9	M16x1	58,0	15	19	50	07 000 092

**Winkelschraubverschraubung, konisch**  
elbow taper male adaptor

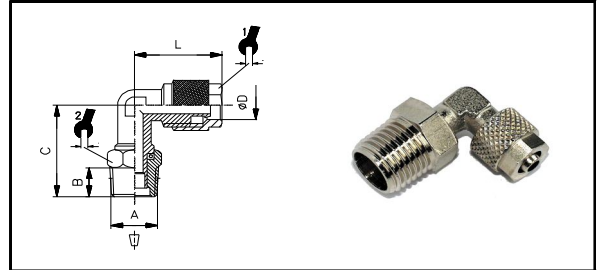


D	A	B	C	L	SW1	SW2	VE	Art.Nr.
5/3	G1/8	7,5	15,0	18,5	8	8	100	07 000 093
6/4	G1/8	7,5	15,0	18,6	10	8	100	07 000 094
6/4	G1/4	11,0	19,0	20,6	10	8	100	07 000 095
8/6	G1/8	7,5	16,5	19,9	12	9	100	07 000 096
8/6	G1/4	11,0	19,0	21,9	12	9	100	07 000 097
8/6	G3/8	11,5	21,0	12,0	12	9	100	07 000 098
8/6	G1/2	14,0	28,0	23,5	12	16	50	07 000 099
10/8	G1/8	7,5	18,0	24,0	14	11	100	07 000 100
10/8	G1/4	11,0	22,0	24,0	14	11	100	07 000 101
10/8	G3/8	11,5	22,0	25,5	14	11	50	07 000 102
10/8	G1/2	14,0	28,0	23,5	14	16	50	07 000 103
12/10	G3/8	11,5	22,5	27,0	15	13	50	07 000 104
12/10	G1/2	14,0	28,0	27,0	15	16	50	07 000 105
15/12,5	G1/2	14,0	28,0	31,5	22	16	50	07 000 106

### Winkeleinschraubverschraubung drehbar, konisch

swivel elbow taper male adaptor

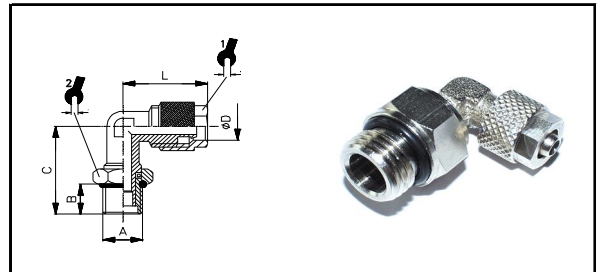
D	A	B	C	L	SW1	SW2	VE	Art.Nr.
6/4	G1/8	7,5	21,5	20,6	10	12	100	07 000 107
6/4	G1/4	11,0	25,0	20,6	10	14	100	07 000 108
8/6	G1/8	7,5	21,5	21,6	12	12	100	07 000 109
8/6	G1/4	11,0	26,0	23,1	12	14	100	07 000 110
10/8	G1/4	11,0	27,0	24,0	14	14	100	07 000 111



### Winkeleinschraubverschraubung drehbar, zylindrisch mit O - Ring

swivel elbow parallel adaptor with o - ring

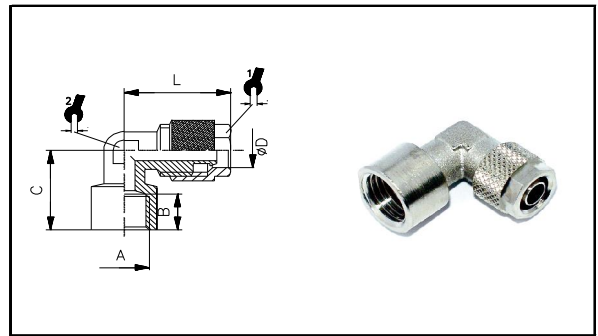
D	A	B	C	L	SW1	SW2	VE	Art.Nr.
6/4	G1/8	6,0	20,6	20,0	10	14	100	07 000 112
6/4	G1/4	8,0	20,6	22,0	10	17	100	07 000 113
8/6	G1/8	6,0	21,6	20,0	12	14	100	07 000 114
8/6	G1/4	8,0	23,1	23,0	12	17	100	07 000 115
10/8	G1/4	8,0	24,0	24,0	14	17	100	07 000 116



### Winkelaufschraubverschraubung

straight female adaptor

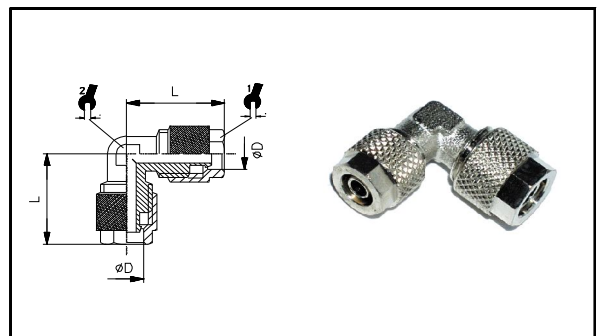
D	A	B	C	L	SW1	SW2	VE	Art.Nr.
5/3	G1/8	7,5	18,0	20,6	8	8	100	07 000 117
6/4	G1/8	7,5	18,0	20,6	10	8	100	07 000 118
6/4	G1/4	11,0	21,0	21,2	10	9	100	07 000 119
8/6	G1/8	7,5	19,0	21,9	12	9	100	07 000 120
8/6	G1/4	11,0	21,0	23,4	12	9	100	07 000 121
10/8	G1/4	11,0	22,0	25,5	14	11	100	07 000 122
10/8	G3/8	11,5	25,0	25,5	14	14	100	07 000 123



### Winkelverbinder

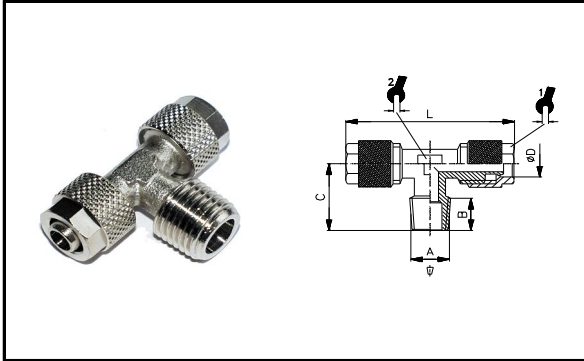
elbow connector

ØD	L	SW1	SW2	VE	Art.Nr.
5/3	20,6	8	8	100	07 000 124
6/4	20,6	10	8	100	07 000 125
8/6	21,9	12	9	100	07 000 126
8/6	21,9	12	9	100	07 000 127
10/8	25,5	14	11	50	07 000 128
12/10	27,0	15	13	50	07 000 129
15/12,5	33,5	22	16	50	07 000 130



### T - Einschraubverschraubung, konisch

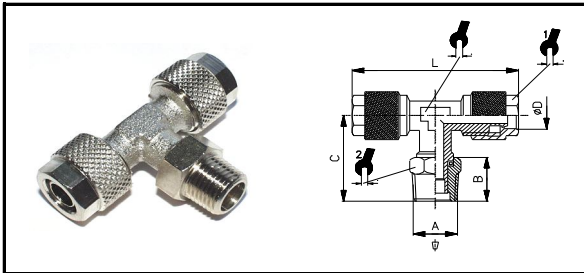
central tee taper adaptor



D	A	B	C	L	SW1	SW2	VE	Art.Nr.
5/3	G1/8	7,5	15,0	37,2	8	8	100	07 000 131
6/4	G1/8	7,5	15,0	37,2	10	8	100	07 000 132
6/4	G1/4	11,0	19,0	41,2	10	9	100	07 000 133
8/6	G1/8	7,5	16,5	39,8	12	9	100	07 000 134
8/6	G1/4	11,0	20,5	43,8	12	9	100	07 000 135
8/6	G3/8	11,5	20,6	45,0	12	12	100	07 000 136
10/8	G1/8	7,5	18,0	48,0	14	11	100	07 000 137
10/8	G1/4	11,0	22,0	48,0	14	11	50	07 000 138
10/8	G3/8	11,5	22,0	51,0	14	11	50	07 000 139
12/10	G3/8	11,5	22,5	54,0	15	13	50	07 000 140
15/12,5	G1/2	14,0	28,0	63,0	22	16	50	07 000 141

### T - Verschraubung drehbar, konisch

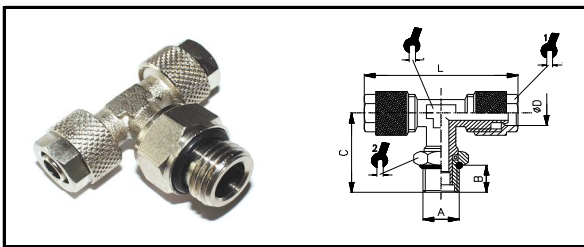
rotary tee taper adaptor



D	A	B	C	L	SW1	SW2	VE	Art.Nr.
6/4	G1/8	7,5	21,5	41,2	10	12	100	07 000 142
6/4	G1/4	11,0	25,0	41,2	10	14	100	07 000 143
8/6	G1/8	7,5	22,0	43,2	12	12	100	07 000 144
8/6	G1/4	11,0	25,5	43,2	12	14	100	07 000 145
10/8	G1/4	11,0	27,0	48,0	14	14	100	07 000 146

### T - Einschraubv. drehbar, zylindrisch mit O - Ring

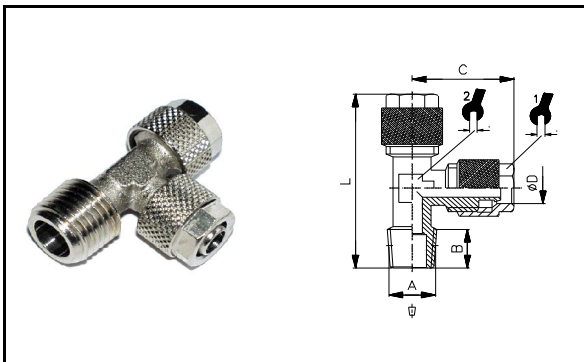
rotary tee parallel adaptor with o - ring



D	A	B	C	L	SW1	SW2	VE	Art.Nr.
6/4	G1/8	6,0	20,0	41,2	10	14	100	07 000 147
6/4	G1/4	8,0	22,0	41,2	10	17	100	07 000 148
8/6	G1/8	6,0	20,0	43,2	12	14	100	07 000 149
8/6	G1/4	8,0	22,5	43,2	12	17	100	07 000 150
10/8	G1/4	8,0	24,0	48,0	14	17	100	07 000 151

### L - Einschraubverschraubung, konisch

off - set tee adaptor

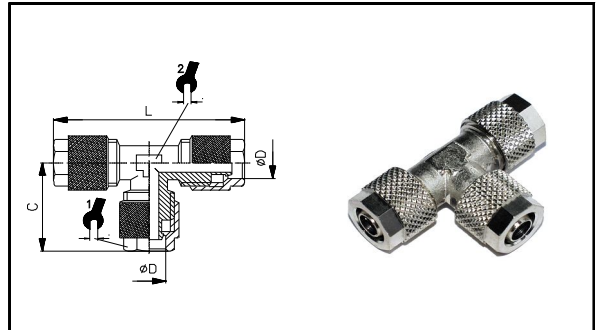


D	A	B	C	L	SW1	SW2	VE	Art.Nr.
5/3	G1/8	7,5	20,6	36,7	8	8	100	07 000 152
6/4	G1/8	7,5	20,6	36,7	10	8	100	07 000 153
6/4	G1/4	11,0	20,6	40,2	10	8	100	07 000 154
8/6	G1/8	7,5	21,9	38,0	12	9	100	07 000 155
8/6	G1/4	11,0	21,9	41,5	12	9	100	07 000 156
8/6	G3/8	11,5	21,9	45,0	12	12	50	07 000 157
10/8	G1/8	7,5	25,5	41,5	14	11	50	07 000 158
10/8	G1/4	11,0	25,5	45,0	14	11	50	07 000 159
10/8	G3/8	11,5	25,5	45,5	14	11	50	07 000 160
12/10	G3/8	11,5	28,0	48,5	15	13	50	07 000 161
15/12,5	G1/2	14,0	32,5	57,5	22	16	25	07 000 162

### T - Verbinder

tee connector

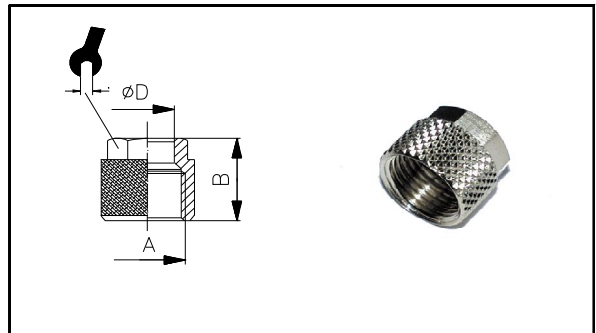
ØD	D2	C	L	SW1	SW2	VE	Art.Nr.
4/2,7	4/2,7	19,5	38,5	7	8	100	07 000 162
5/3	5/3	20,6	41,2	8	8	100	07 000 163
6/4	6/4	20,6	41,2	10	8	100	07 000 164
8/6	6/4	20,6	43,8	12	9	100	07 000 165
8/6	8/6	21,9	43,8	12	9	100	07 000 166
10/8	6/4	20,6	51,0	14	11	100	07 000 167
10/8	8/6	21,9	51,0	14	11	50	07 000 168
10/8	10/8	25,5	51,0	14	11	50	07 000 169
12/10	12/10	28,0	54,0	15	13	50	07 000 170
15/12,5	15/12,5	32,5	63,0	22	16	25	07 000 171



### Überwurfmutter

locking nut

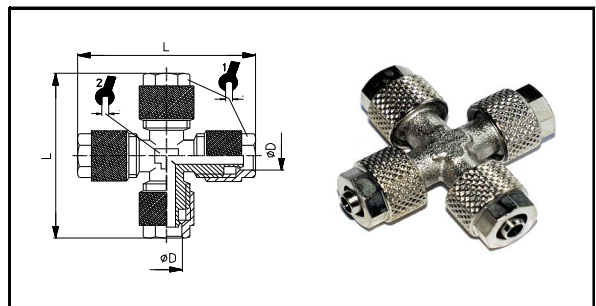
D	D	B	SW	VE	Art.Nr.
4/2,7	M6x0,5	10,0	7,0	100	07 000 172
4,3/3	M7x0,75	10,0	8,0	100	07 000 173
5/3	M7x0,75	10,0	8,0	100	07 000 174
6/4	M8x0,75	11,0	8,0	100	07 000 175
6/4	M10x1	11,0	10,0	100	07 000 176
8/6	M12x1	11,5	12,0	100	07 000 177
10/8	M14x1	13,5	14,0	100	07 000 178
12/10	M16x1	15,0	15,0	100	07 000 179
15/12,5	M20x1	16,0	22,0	50	07 000 180



### Kreuzverbinder

cross adaptor

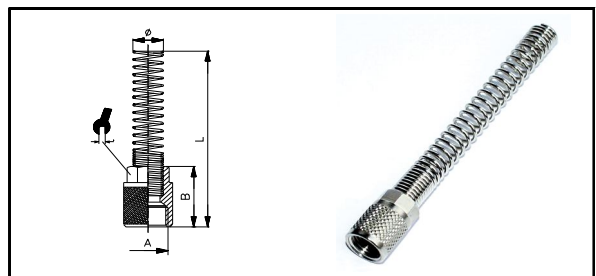
D	L	SW1	SW2	VE	Art.Nr.
5/3	41,6	8,0	8,0	100	07 000 181
6/4	41,6	10,0	8,0	100	07 000 182
8/6	44,4	12,0	9,0	100	07 000 183
10/8	51	14,0	11,0	50	07 000 184
12/10	58	15,0	13,0	50	07 000 185
15/12,5	64	22,0	17,0	50	07 000 186



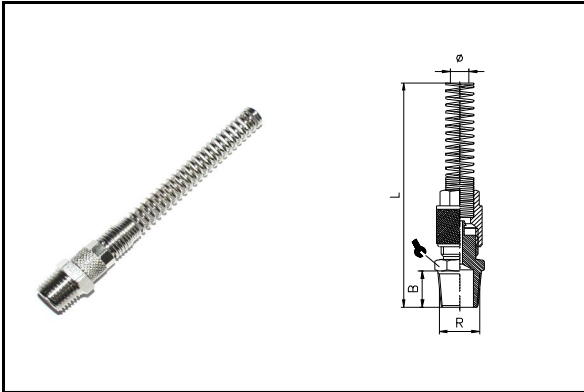
### Kickschutzfeder mit Mutter

protectiv spring + nut

D	D	B	L	SW	VE	Art.Nr.
6/4	M10x1	18,0	93,0	10,0	50	07 000 187
8/6	M12x1	18,0	98,0	12,0	50	07 000 188
10/8	M14x1	20,0	105,0	14,0	50	07 000 189
12/10	M16x1	22,0	112,0	15,0	50	07 000 190

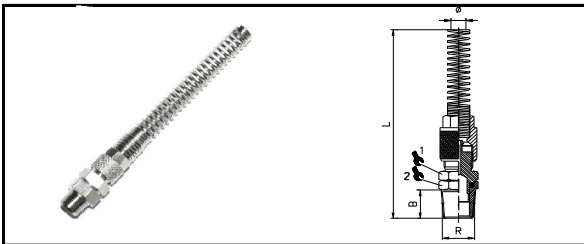


**Einschraubversch. kon. mit Kickschutzfeder**  
taper nut + protective spring



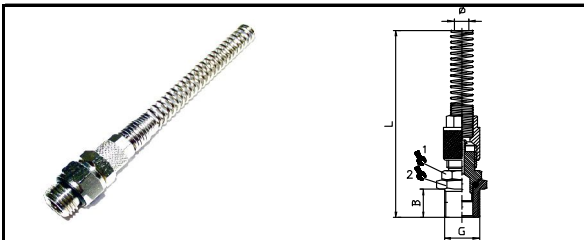
Ø	R	B	L	SW	VE	Art.Nr.
6/4	1/8	7,5	107,5	12	50	07 000 191
6/4	1/4	11	111,5	14	50	07 000 192
8/6	1/8	7,5	113,5	14	50	07 000 193
8/6	1/4	11	117,5	14	50	07 000 194
8/6	3/8	11,5	118	17	50	07 000 195
8/6	1/2	14	120,5	22	50	07 000 196
10/8	1/8	7,5	120,5	14	50	07 000 197
10/8	1/4	11	124,5	14	50	07 000 198
10/8	3/8	11,5	125	17	25	07 000 199
10/8	1/2	14	128	22	25	07 000 200
12/10	3/8	11,5	132	17	25	07 000 201
12/10	1/2	14	135	22	25	07 000 202

**Einschraubversch. kon. mit Kickschutzfeder drehbar**  
rotary taper nut + protective spring



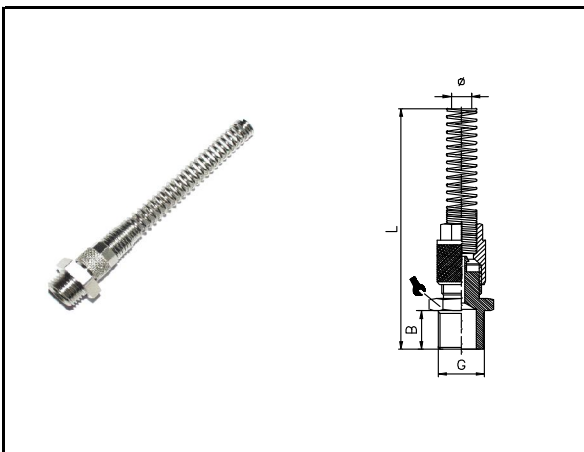
Ø	R	B	L	SW1	SW2	VE	Art.Nr.
6/4	1/8	7,5	118	12	12	50	07 000 203
6/4	1/4	11	122	14	14	50	07 000 204
8/6	1/8	7,5	123	12	12	50	07 000 205
8/6	1/4	11	127	14	14	50	07 000 206
10/8	1/4	11	134	14	14	25	07 000 207
12/10	3/8	11,5	142	17	17	25	07 000 208

**Einschraubv. zyl. m. Kickschutzfeder + O-Ring, drehbar**  
rotary parallel nut + protective spring



Ø	G	B	L	SW1	SW2	VE	Art.Nr.
6/4	1/8	7,5	118	12	13	50	07 000 209
6/4	1/4	11	122	14	16	50	07 000 210
8/6	1/8	7,5	123	12	13	50	07 000 211
8/6	1/4	11	127	14	16	50	07 000 212
10/8	1/4	11	134	14	16	25	07 000 213
12/10	3/8	11,5	142	17	18	25	07 000 214

**Einschraubv. zylindr. mit Knickschutzfeder (\* mit O-Ring)**  
rotary parallel nut + protective spring



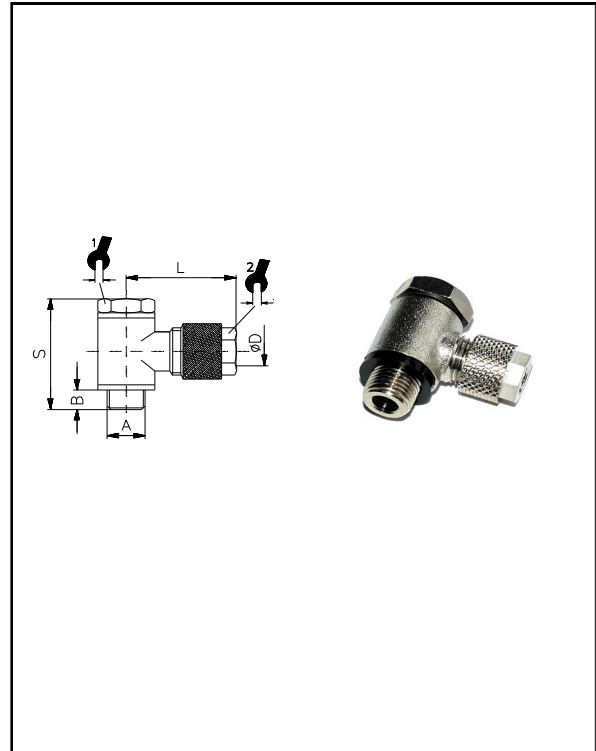
Ø	G	B	L	SW	O-Ring	VE	Art.Nr.
6/4	1/8	6	106	13		50	07 000 215
6/4	1/4	8	108,5	17		50	07 000 216
6/4	3/8	9	109,5	19	*	50	07 000 217
6/4	1/2	10	112	24	*	50	07 000 218
8/6	1/8	6	112	14		50	07 000 219
8/6	1/4	8	114,5	17		50	07 000 220
8/6	3/8	9	115,5	19		50	07 000 221
8/6	1/2	10	116,5	24		50	07 000 222
10/8	1/8	6	119	14		50	07 000 223
10/8	1/4	8	121	17		50	07 000 224
10/8	3/8	9	122,5	19		25	07 000 225
10/8	1/2	10	124	24	*	25	07 000 226
12/10	3/8	9	129,5	19	*	25	07 000 227
12/10	1/2	10	131	24	*	25	07 000 228



### Winkelschwenkverschraubung

complete single banjo adaptor

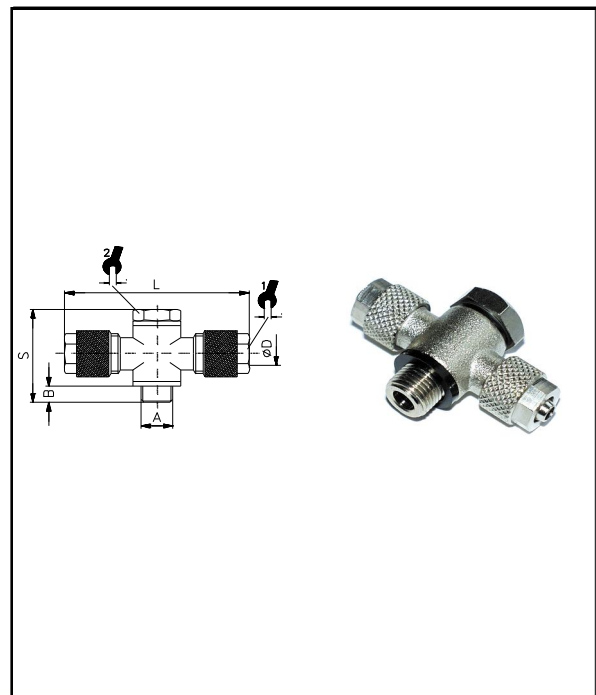
D	D	B	S	L	SW1	SW2	VE	Art.Nr.
4/2,7	M5	3,4	23,0	16,5	8,0	7,0	100	07 000 229
4/2,7	G1/8	6,0	28,0	23,0	10,0	7,0	100	07 000 230
4,3/3	M5	3,9	17,5	16,5	8,0	8,0	100	07 000 231
4,3/3	G1/8	6,0	28,0	21,0	8,0	14,0	100	07 000 232
5/3	M5	3,9	17,5	16,5	8,0	8,0	100	07 000 233
5/3	G1/8	3,9	28,0	23,0	8,0	14,0	100	07 000 234
6/4	M5	3,9	17,5	16,5	9,0	8,0	100	07 000 235
6/4	G1/8	6,0	28,0	23,0	10,0	14,0	100	07 000 236
6/4	G1/4	8,0	29,5	26,0	10,0	17,0	100	07 000 237
6/4	G3/8	9,0	36,0	26,0	10,0	22,0	100	07 000 238
8/6	G1/8	6,0	28,0	23,0	12,0	14,0	100	07 000 239
8/6	G1/4	8,0	29,5	26,0	12,0	17,0	100	07 000 240
8/6	G3/8	9,0	31,5	26,0	12,0	22,0	100	07 000 241
8/6	G1/2	10,0	42,0	31,2	12,0	24,0	100	07 000 242
10/8	G1/8	6,0	28,0	27,5	14,0	14,0	50	07 000 243
10/8	G1/4	8,0	29,5	29,5	14,0	17,0	50	07 000 244
10/8	G3/8	9,0	30,5	30,5	14,0	22,0	50	07 000 245
10/8	G1/2	10,0	42,0	34,0	14,0	24,0	50	07 000 246
12/10	G3/8	9,0	36,0	31,5	15,0	22,0	25	07 000 247
12/10	G1/2	10,0	42,0	35,0	15,0	24,0	25	07 000 248
12/9	G1/4	10,0	37,0	26,0	15,0	17,0	25	07 000 249
12/9	G3/8	8,0	37,5	30,0	15,0	22,0	25	07 000 250
15/12,5	G1/2	10,0	42,0	36,5	22,0	24,0	25	07 000 251



### T - Schwenkverschraubung

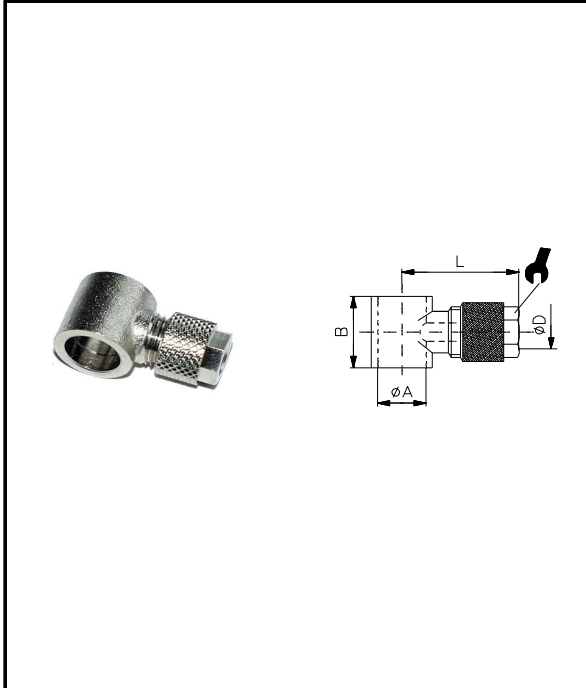
complete double banjo adaptor

D	D	B	S	L	SW1	SW2	VE	Art.Nr.
4,3/3	M5	3,9	17,5	33,0	8,0	8,0	100	07 000 252
4,3/3	G1/8	6,0	28,0	46,6	8,0	14,0	100	07 000 253
5/3	M5	3,9	17,5	33,0	8,0	8,0	100	07 000 254
5/3	G1/8	3,9	28,0	46,6	8,0	14,0	100	07 000 255
6/4	M5	3,9	17,5	33,0	9,0	8,0	100	07 000 256
6/4	G1/8	6,0	28,0	46,6	10,0	14,0	100	07 000 257
6/4	G1/4	8,0	29,5	50,0	10,0	17,0	100	07 000 258
6/4	G3/8	9,5	36,0	53,6	10,0	22,0	100	07 000 259
8/6	G1/8	6,0	28,0	50,0	12,0	14,0	100	07 000 260
8/6	G1/4	8,0	29,5	55,0	12,0	17,0	100	07 000 261
8/6	G3/8	9,5	36,0	55,4	12,0	22,0	100	07 000 262
8/6	G1/2	10,0	42,0	61,0	12,0	24,0	100	07 000 263
10/8	G1/8	6,0	28,0	53,0	14,0	14,0	50	07 000 264
10/8	G1/4	8,0	32,0	59,0	14,0	17,0	50	07 000 265
10/8	G3/8	9,0	36,0	61,0	14,0	22,0	50	07 000 266
10/8	G1/2	10,0	42,0	68,0	14,0	24,0	25	07 000 267
12/10	G3/8	9,5	36,0	63,0	15,0	22,0	25	07 000 268
12/10	G1/2	10,0	42,0	70,0	15,0	24,0	25	07 000 269
12/9	G3/8	8,0	31,5	66,0	15,0	22,0	25	07 000 270
15/12,5	G1/2	10,0	42,0	62,0	22,0	24,0	25	07 000 271



### Ringstück 1 - fach

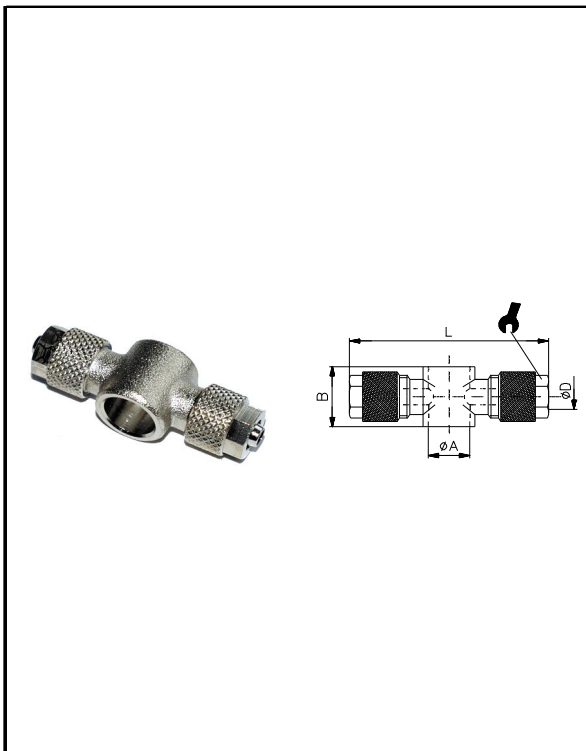
single banjo body



D	D	B	L	SW	VE	Art.Nr.
4/2,7	M5	12,5	16,5	8,0	100	07 000 272
4/2,7	M5	15,0	16,5	8,0	100	07 000 273
5/3	M5	9,0	16,5	8,0	100	07 000 274
5/3	G1/8	15,0	23,0	8,0	100	07 000 275
6/4	M5	9,0	16,5	9,0	100	07 000 276
6/4	G1/8	14,5	23,0	10,0	100	07 000 277
6/4	G1/4	14,5	26,0	10,0	100	07 000 278
6/4	G3/8	20,0	26,0	10,0	100	07 000 279
8/6	G1/8	14,5	23,0	12,0	100	07 000 280
8/6	G1/4	14,5	26,0	12,0	100	07 000 281
8/6	G3/8	14,5	26,0	12,0	100	07 000 282
8/6	G1/2	24,0	31,2	12,0	100	07 000 283
10/8	G1/8	15,0	27,5	14,0	50	07 000 284
10/8	G1/4	17,0	29,5	14,0	50	07 000 285
10/8	G3/8	20,0	30,5	14,0	50	07 000 286
10/8	G1/2	24,0	34,0	14,0	50	07 000 287
12/10	G3/8	20,0	31,5	15,0	25	07 000 288
12/10	G1/2	24,0	35,0	15,0	25	07 000 289
12/9	G1/4	20,0	31,5	15,0	25	07 000 290
12/9	G3/8	20,0	31,5	15,0	25	07 000 291
15/12,5	G1/2	24,0	36,5	22,0	25	07 000 292

### Ringstück 2 - fach

double banjo body

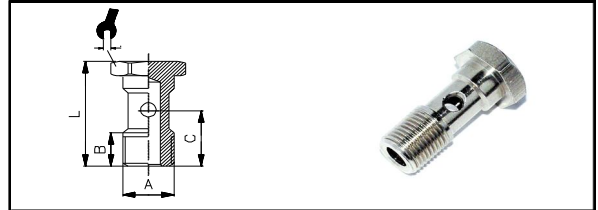


D	D	B	L	SW	VE	Art.Nr.
4/2,7	M5	12,5	39,0	8,0	100	07 000 293
4/2,7	G1/8	15,0	46,6	8,0	100	07 000 294
4,3/3	M5	9,0	33,0	8,0	100	07 000 295
4,3/3	G1/8	15,0	46,6	8,0	100	07 000 296
5/3	M5	9,0	33,0	8,0	100	07 000 297
5/3	G1/8	15,0	46,6	8,0	100	07 000 298
6/4	M5	9,0	33,0	9,0	100	07 000 299
6/4	G1/8	15,0	46,6	10,0	100	07 000 300
6/4	G1/4	14,5	50,6	10,0	100	07 000 301
6/4	G3/8	20,0	53,6	10,0	100	07 000 302
8/6	G1/8	15,0	50,0	12,0	100	07 000 303
8/6	G1/4	14,5	55,0	12,0	100	07 000 304
8/6	G3/8	20,0	55,4	12,0	100	07 000 305
8/6	G1/2	24,0	62,5	12,0	100	07 000 306
10/8	G1/8	15,0	55,0	14,0	50	07 000 307
10/8	G1/4	17,0	59,0	14,0	50	07 000 308
10/8	G3/8	20,0	61,0	14,0	50	07 000 309
10/8	G1/2	24,0	68,0	14,0	50	07 000 310
12/10	G3/8	20,0	63,0	15,0	25	07 000 311
12/10	G1/2	24,0	70,0	15,0	25	07 000 312
12/9	G3/8	14,5	66,0	15,0	25	07 000 313
15/12,5	G1/2	24,0	62,0	22,0	25	07 000 314

### Hohlschraube 1 - fach kurz

banjo single stem

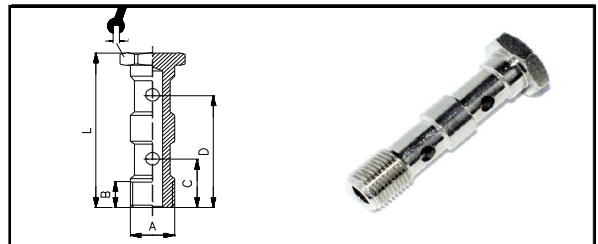
A	B	C	L	SW	VE	Art.Nr.
M5	4,5	9,6	17,5	8,0	100	07 000 315
G1/8	7,5	15,0	28,0	14,0	50	07 000 316
G1/4	9,0	16,5	29,5	17,0	50	07 000 317
G3/8	10,0	17,5	30,5	24,0	50	07 000 318
G1/2	18,5	18,5	31,5	24,0	25	07 000 319



### Hohlschraube 2 - fach kurz

banjo double stem

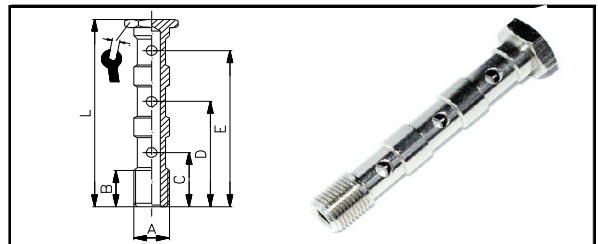
A	B	C	D	L	SW	VE	Art.Nr.
G1/8	6	14,5	31,0	44,5	14,0	50	07 000 320
G1/4	8	16,5	32,5	46,0	17,0	50	07 000 321
G3/8	9	17,5	33,5	46,5	22,0	50	07 000 322
G1/2	10	18,5	34,5	47,5	24,0	25	07 000 323



### Hohlschraube 3 - fach kurz

banjo triple stem

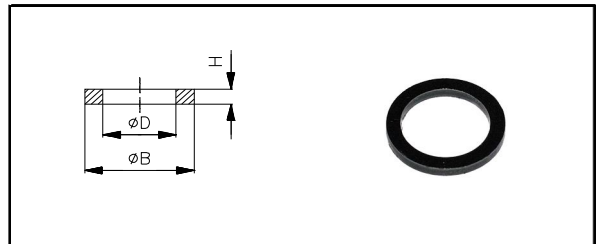
A	B	C	D	M	L	SW	VE	Art.Nr.
G1/8	6	14,5	30,5	36,5	59,0	14,0	50	07 000 324
G1/4	8	16,5	32,5	48,5	62,0	17,0	50	07 000 325
G3/8	9	17,5	33,5	49,5	62,5	22,0	50	07 000 326
G1/2	10	18,5	34,5	50,5	63,5	24,0	25	07 000 327



### Dichtring PVC - hart, schwarz

spacer washer, PVC - hard, black

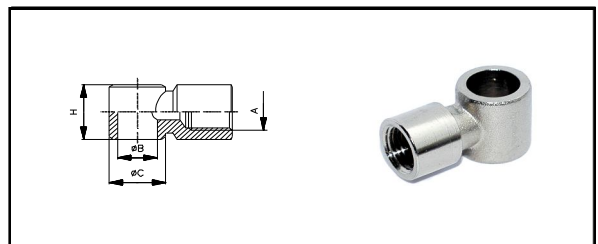
A	D	B	H	VE	Art.Nr.
M5	5,3	7,7	1,0	200	07 000 328
G1/8	10,2	13,0	1,5	200	07 000 329
G1/4	13,4	17,9	2,0	200	07 000 330
G3/8	17,1	21,8	2,0	200	07 000 331
G1/2	21,3	26,5	2,0	100	07 000 332
G3/4	26,7	32,4	2,0	100	07 000 333
G1	33,5	39,0	2,0	100	07 000 334



### Ringstück mit Innengewinde

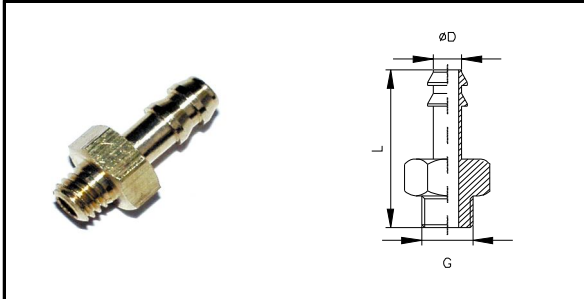
female single banjo body

A	ØB	ØC	H	VE	Art.Nr.
M5	5,1	-	10,0	100	07 000 335
G1/8	10,0	14,0	15,0	50	07 000 336
G1/4	13,2	18,0	17,0	50	07 000 337
G3/8	21,0	20,0	20,0	25	07 000 338
G1/2	26,0	24,0	24,0	25	07 000 339
G1/8	18,0	17,0	17,0	25	07 000 340
G3/8	26,0	26,0	24,0	25	07 000 341



### Stecknippel - Einschraubverschraubung

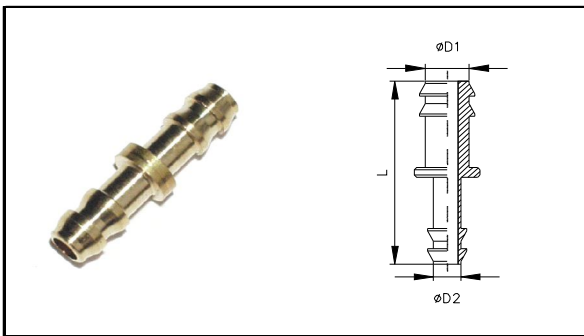
connector, male threaded



ØD	G	L	SW	VE	Art.Nr.
3	M5	17,0	8,0	50	07 000 342
4	M5	18,0	8,0	50	07 000 343

### Stecknippel - Verbinder

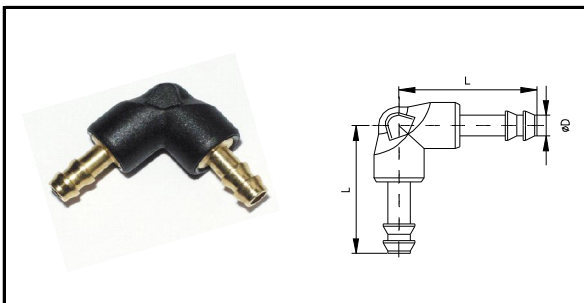
push - in connector



ØD	D2	L	VE	Art.Nr.
2	2,0	20,0	50	07 000 344
3	2,0	20,0	50	07 000 345
3	3,0	20,0	50	07 000 346
4	3,0	21,0	50	07 000 347
4	4,0	22,0	50	07 000 348
6	4,0	22,0	50	07 000 349
6	6	22,0	50	07 000 350

### Stecknippel - Winkelverbinder

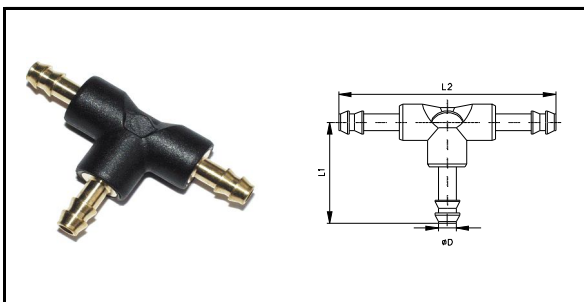
push - in elbow connector



D	L	VE	Art.Nr.
2	16,0	50	07 000 351
3	16,0	50	07 000 352
4	22,0	50	07 000 353
6	22,0	50	07 000 354

### Stecknippel - T - Verbinder

push - in tee connector



ØD	L1	L2	VE	Art.Nr.
2	16,0	32,0	50	07 000 355
3	16,0	32,0	50	07 000 356
4	22,0	44,0	50	07 000 357
6	22,0	44,0	50	07 000 358