

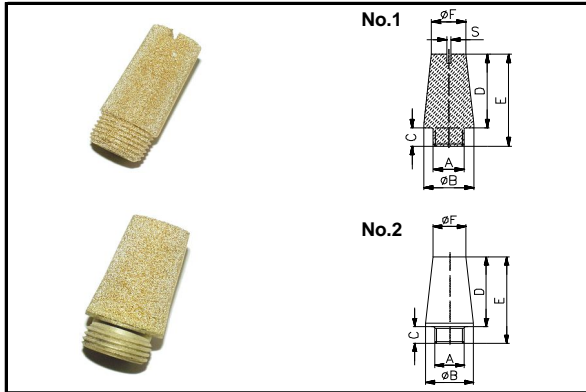
Schalldämpfer - Manometer - Kupplungen

Silencer - Manometre - Coupling



Schalldämpfer MS

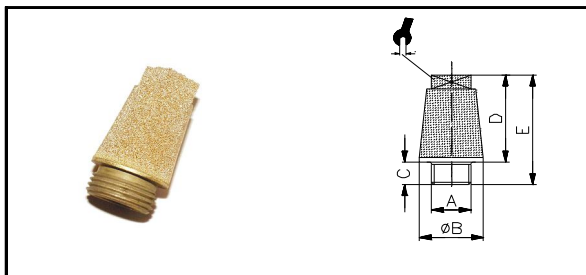
silencer, brass



	A	B	C	D	M	F	S	Bild	VE	Art.Nr.
G1/8	8,0	6,0	15,0	21,0	11,0	1,0	1	100	09 000 001	
G1/4	14,0	9,0	20,0	29,0	9,0	1,0	1	50	09 000 002	
G3/8	17,5	9,0	29,5	38,5	15,0	2,0	1	50	09 000 003	
G1/2	22,5	9,6	32,5	43,0	20,0	2,6	1	50	09 000 004	
G1/8	12,0	6,0	15,0	21,0	8,0		2	100	09 000 005	
G1/4	15,0	6,0	19,0	25,0	11,0		2	50	09 000 006	
G3/8	19,0	8,0	28,0	36,0	15,0		2	50	09 000 007	
G1/2	23,0	10,0	33,0	43,0	18,0		2	50	09 000 008	
G3/4	30,0	13,0	40,0	53,0	23,0		2	25	09 000 009	
G1	38,0	15,0	48,0	63,0	28,0		2	10	09 000 010	
M5	6,0	4,5	8,5	13,0	5,0		2	100	09 000 011	
G1/8	12,0	6,0	15,0	23,0	8,0		2	50	09 000 012	

Schalldämpfer mit Vierkant, MS

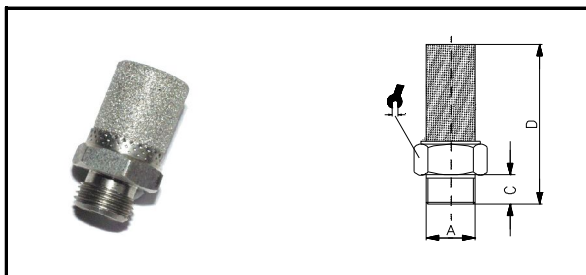
silencer with square end, brass



	A	B	C	D	M	SW	VE	Art.Nr.
G1/8	12,0	6,0	15,0	21,0	7,0		50	09 000 013
G1/4	15,0	6,0	19,0	25,0	8,0		50	09 000 014
G3/8	19,0	8,0	28,0	36,0	10,0		50	09 000 015
G1/2	23,0	10,0	33,0	43,0	14,0		50	09 000 016
G3/4	30,0	13,0	40,0	53,0	16,0		50	09 000 017
G1	38,0	15,0	48,0	63,0	20,0		50	09 000 018
M5	12,0	6,0	15,0	21,0	7,0		100	09 000 019

Schalldämpfer, Edelstahl

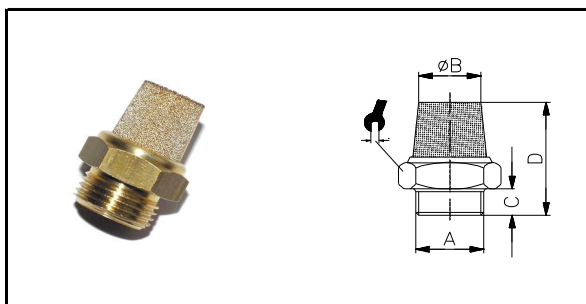
silencer, SS



	A	C	D	SW	VE	Art.Nr.
G1/8	6,0	25,0	13,0		50	09 000 020
G1/4	8,0	33,0	16,0		50	09 000 021
G3/8	9,0	40,0	19,0		50	09 000 022
G1/2	10,0	47,0	24,0		50	09 000 023
G3/4	10,0	56,0	30,0		50	09 000 024
G1	15,0	64,0	36,0		50	09 000 025
M5	3,5	16,0	8,0		50	09 000 026

Schalldämpfer, MS

silencer, brass

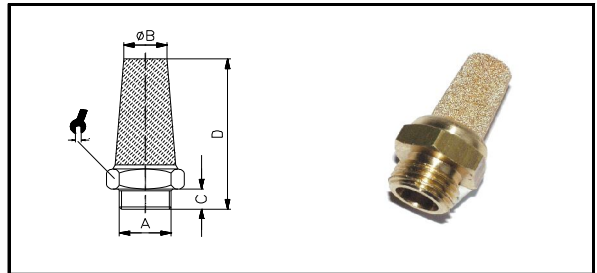


	A	B	C	D	SW	VE	Art.Nr.
G1/8	8,0	6,0	20,0	13,0		50	09 000 027
G1/4	11,0	8,0	25,0	16,0		50	09 000 028
G3/8	13,5	9,0	29,0	19,0		50	09 000 029
G1/2	17,0	11,0	35,0	24,0		50	09 000 030
G3/4	22,0	13,0	39,0	30,0		50	09 000 031
G1	29,0	15,0	45,0	36,0		50	09 000 032
M5	5,0	4,0	15,0	8,0		50	09 000 033
G1/8 IG	8,0	6,0	20,0	13,0		50	09 000 034

Schalldämpfer, MS

silencer, brass

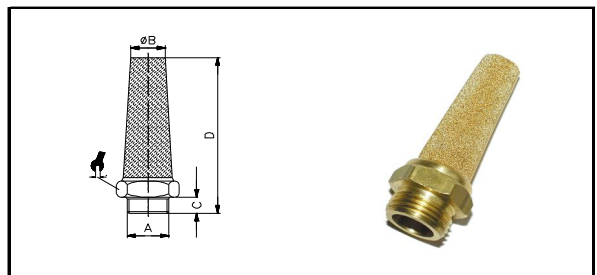
A	B	C	D	SW	VE	Art.Nr.
G1/8	7,0	6,0	29,0	13,0	50	09 000 035
G1/4	9,0	8,0	32,0	16,0	50	09 000 036
G3/8	13,0	9,0	43,0	19,0	50	09 000 037
G1/2	16,0	11,0	53,0	24,0	50	09 000 038
G3/4	20,0	13,0	53,0	30,0	50	09 000 039
G1	25,0	15,0	66,0	36,0	50	09 000 040
M5	5,0	4,0	22,0	8,0	100	09 000 041
G1/8 IG	7,0	6,0	29,0	13,0	50	09 000 042



Schalldämpfer, MS

silencer, brass

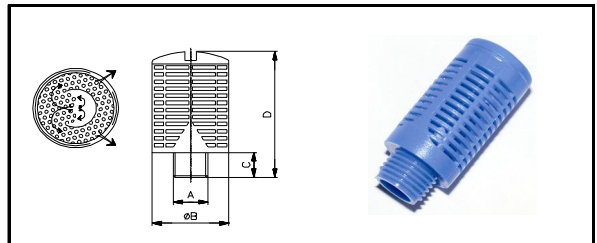
A	B	C	D	SW	VE	Art.Nr.
G1/8	7,0	6,0	43,0	13,0	50	09 000 043
G1/4	9,0	8,0	51,0	16,0	50	09 000 044
G3/8	10,0	9,0	56,0	19,0	50	09 000 045
G1/2	13,0	11,0	68,0	24,0	50	09 000 046
G3/4	17,0	13,0	70,0	30,0	50	09 000 047
G1	23,0	15,0	82,0	36,0	50	09 000 048
M5	4,0	3,5	25,0	8,0	100	09 000 049
G1/8 IG	7,0	6,0	43,0	13,0	50	09 000 050



Schalldämpfer, Kunststoff

silencer, plastic

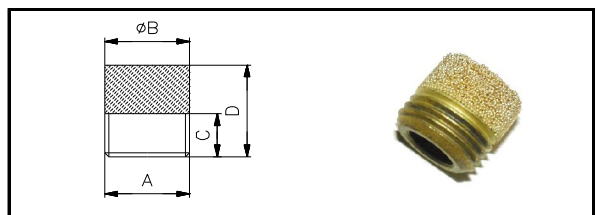
A	B	C	D	VE	Art.Nr.
G1/8	15,0	6,0	32,5	50	09 000 051
G1/4	19,5	8,0	43,0	50	09 000 052
G3/8	24,5	11,0	58,0	50	09 000 053
G1/2	24,5	11,0	58,0	50	09 000 054
G3/4	48,0	18,0	115,0	50	09 000 055
G1	48,0	18,0	115,0	50	09 000 056
G1/8 IG	15,0	6,0	32,5	50	09 000 057



Schalldämpfer, MS

silencer, brass

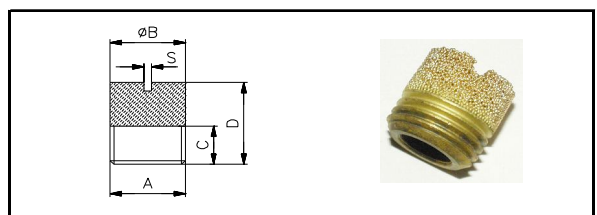
A	B	C	D	VE	Art.Nr.
G1/8	10,0	6,0	12,0	50	09 000 058
G1/4	13,0	6,0	12,0	50	09 000 059
G3/8	17,0	7,0	15,0	50	09 000 060
G1/2	21,0	10,0	18,0	50	09 000 061
G3/4	26,0	13,0	22,0	25	09 000 062
G1	33,0	14,0	25,0	25	09 000 063



Schalldämpfer, MS

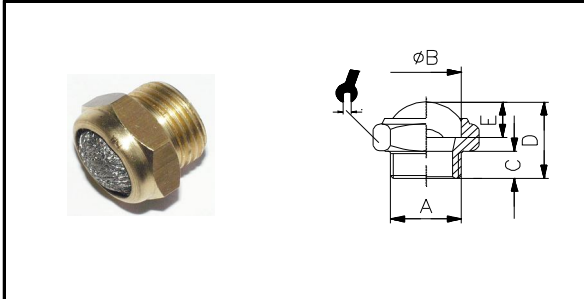
silencer, brass

A	B	C	D	S	VE	Art.Nr.
G1/8	10,0	6,0	12,0	1,5	50	09 000 064
G1/4	13,0	6,0	12,0	1,5	50	09 000 065
G3/8	17,0	7,0	15,0	1,5	50	09 000 066
G1/2	21,0	10,0	18,0	1,5	50	09 000 067
G3/4	26,0	13,0	22,0	1,5	25	09 000 068
G1	33,0	14,0	25,0	1,5	25	09 000 069



Schalldämpfer, MS

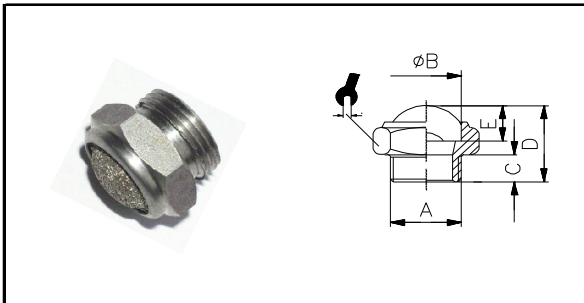
silencer, brass



A	B	C	D	E	SW	OF	VE	Art.Nr.
G1/8	11,0	6,0	16,0	4,0	13,9		50	09 000 070
G1/8	11,0	6,0	16,0	4,0	13,0	vernickelt	50	09 000 071
G1/4	14,0	8,0	19,0	4,0	16,0		50	09 000 072
G3/8	17,0	9,0	21,0	4,0	19,0		50	09 000 073
G1/2	22,0	10,0	23,0	4,0	24,0		50	09 000 074
G3/4	28,0	10,0	27,0	4,0	30,0		50	09 000 075
G1	34,0	15,0	29,0	4,0	36,0		25	09 000 076
M5	6,5	3,5	8,0	3,0	8,0		100	09 000 077
G1/8 IG	12,0	6,0	20,0	4,0	14,0		50	09 000 078

Schalldämpfer, Edelstahl

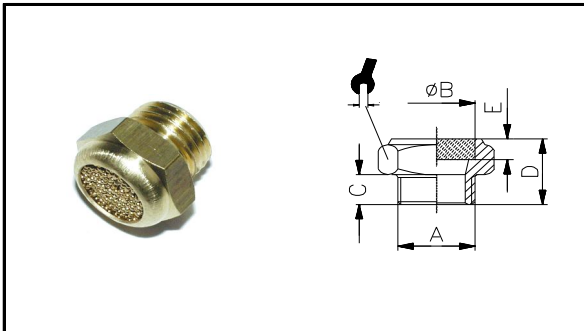
silencer INOX



A	B	C	D	E	SW	VE	Art.Nr.
G1/8	11,0	6,0	16,0	4,0	13,0	50	09 000 079
G1/4	14,0	8,0	19,0	4,0	16,0	50	09 000 080
G3/8	17,0	9,0	21,0	4,0	19,0	50	09 000 081
G1/2	22,0	10,0	23,0	4,0	24,0	50	09 000 082
G3/4	28,0	10,0	27,0	4,0	30,0	25	09 000 083
G1	34,0	15,0	29,0	4,0	36,0	25	09 000 084
M5	6,5	3,5	8,0	3,0	8,0	100	09 000 085

Schalldämpfer, MS

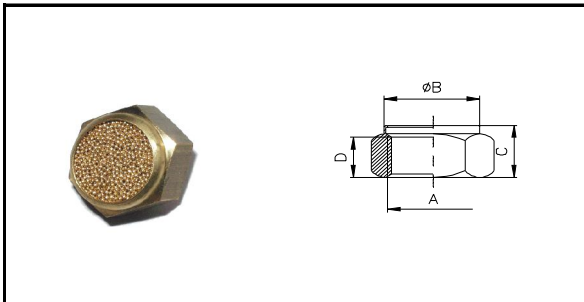
silencer, brass



A	B	C	D	E	SW	VE	Art.Nr.
G1/8	11,0	6,0	13,0	4,0	13,0	50	09 000 086
G1/4	14,0	8,0	16,0	4,0	16,0	50	09 000 087
G3/8	17,0	9,0	18,0	4,0	19,0	50	09 000 088
G1/2	22,0	11,0	20,0	4,0	24,0	50	09 000 089
G3/4	28,0	13,0	24,0	4,0	30,0	25	09 000 090
G1	34,0	15,0	27,0	4,0	36,0	25	09 000 091
M5	6,5	3,5	8,0	3,0	8,0	100	09 000 092
G1/8 IG	11,0	6,0	13,0	4,0	13,0	50	09 000 093

Schalldämpfer, MS

silencer, brass

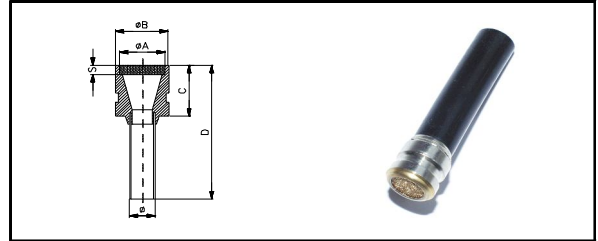


A	B	C	D	SW	VE	Art.Nr.
G1/8	11,0	10,5	6,0	13,0	50	09 000 094
G1/4	14,0	11,0	6,0	16,0	50	09 000 095
G3/8	17,0	12,0	7,5	19,0	50	09 000 096
G1/2	22,0	13,0	8,0	24,0	50	09 000 097
M5	3,5	7,5	4,0	8,0	100	09 000 098

Schallsämpfer, MS

silencer, brass

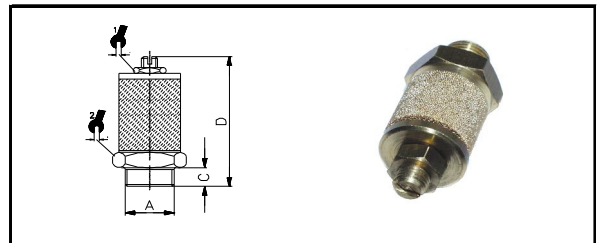
ØD	D	B	C	D	S	VE	Art.Nr.
4	5,0	7,0	10,0	38,0	3,0	100	09 000 099
5	5,0	7,0	10,0	42,0	3,0	100	09 000 100
6	6,0	8,0	10,0	44,0	3,0	100	09 000 101
8	8,0	10,0	14,0	44,0	4,0	50	09 000 102
10	10,0	12,0	14,0	50,0	4,0	50	09 000 103
12	11,0	14,0	16,0	60,0	4,0	50	09 000 104
14	14,0	16,0	19,0	65,0	4,0	25	09 000 105



Schalldämpfer mit Drossel

silencer with throttle

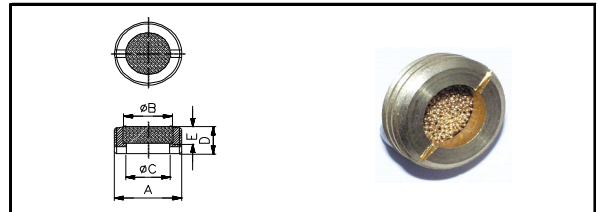
D	C	Dmin.	Dmax.	SW1	SW2	VE	Art.Nr.
G1/8	8,0	38,0	44,0	10,0	16,0	50	09 000 106
G1/4	9,0	39,0	45,0	10,0	16,0	50	09 000 107
G3/8	10,0	47,0	60,0	10,0	22,0	50	09 000 108
G1/2	11,0	48,0	61,0	10,0	22,0	50	09 000 109
G3/4	11,0	68,0	92,0	13,0	30,0	25	09 000 110
G1	11,0	68,0	92,0	13,0	36,0	25	09 000 111
M5	3,5	16,0	21,0	6,0	8,0	100	09 000 112



Schalldämpfer

silencer

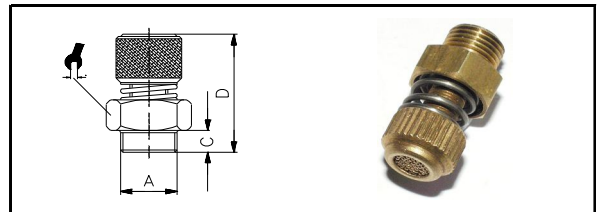
D	B	C	D	M	VE	Art.Nr.
G1/8	6,0	5,0	4,0	3,0	100	09 000 113
G1/4	8,0	6,0	4,0	3,0	100	09 000 114
G3/8	10,0	8,0	5,0	3,0	50	09 000 115
G1/2	15,0	12,0	8,0	4,0	50	09 000 116
G3/4	20,0	17,0	10,0	4,0	25	09 000 117
G1	26,0	23,0	10,0	4,0	25	09 000 118



Schalldämpfer mit Drossel

silencer with throttle

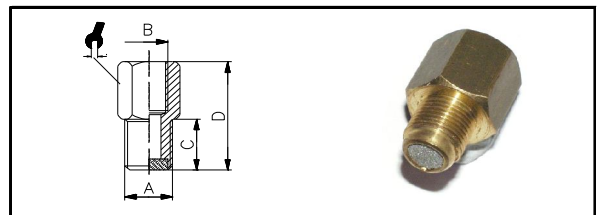
D	C	Dmin.	Dmax.	SW	VE	Art.Nr.
G1/8	6,0	26,0	28,0	13,0	50	09 000 119
G1/4	8,0	30,0	32,0	15,0	50	09 000 120
G3/8	10,0	35,0	38,0	18,0	50	09 000 121
G1/2	11,0	36,0	39,0	22,0	25	09 000 122
G3/4	12,0	45,0	50,0	30,0	25	09 000 123
G1	12,0	45,0	50,0	36,0	25	09 000 124



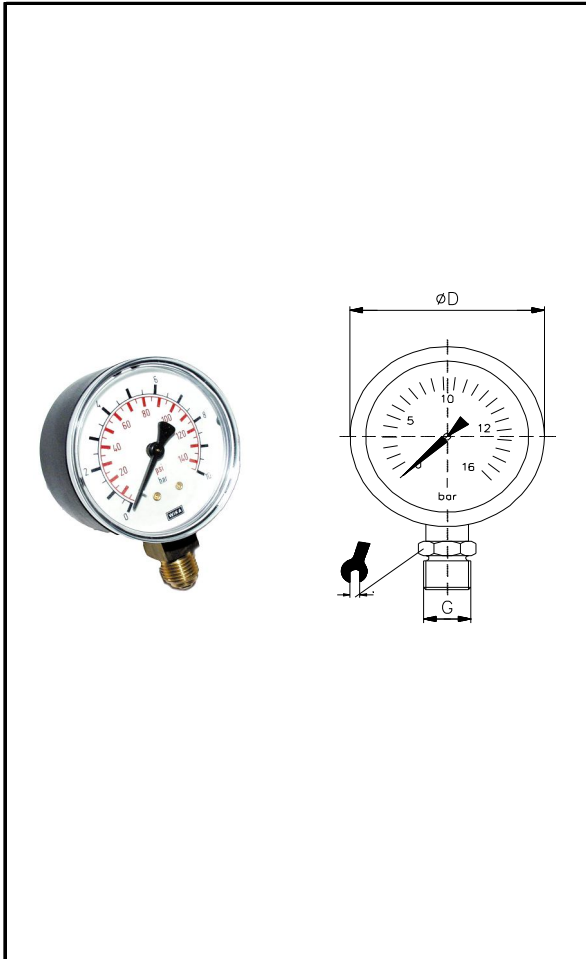
Schalldämpfer

silencer

D	B	C	D	SW	VE	Art.Nr.
G1/8	G1/8	10,0	25,0	14,0	50	09 000 125
G1/4	G1/4	15,0	36,0	19,0	50	09 000 126
G3/8	G3/8	27,0	45,0	27,0	25	09 000 127
G1/2	G1/2	27,0	50,0	30,0	25	09 000 128

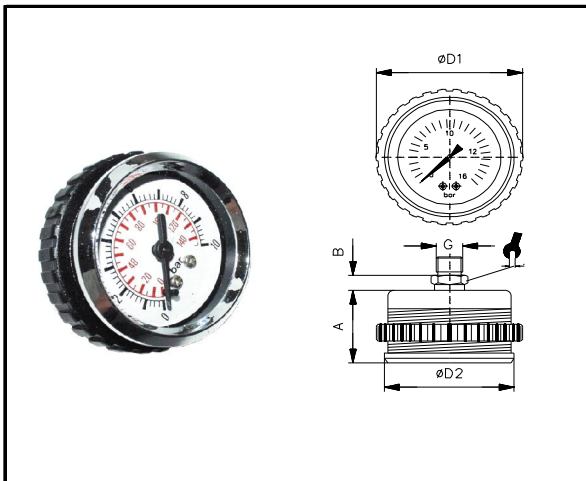


Manometer mit Rohrfeder, Anschluß unten
manometre with spring tube, connection at bottom



G	D	bar	VE	Art.Nr.
G1/8	40,0	0-1,6	1	09 000 129
G1/8	40,0	0-2,5	1	09 000 130
G1/8	40,0	0-4	1	09 000 131
G1/8	40,0	0-6	1	09 000 132
G1/8	40,0	0-10	1	09 000 133
G1/8	40,0	0-16	1	09 000 134
G1/8	40,0	0-25	1	09 000 135
G1/8	50,0	0-10	1	09 000 136
G1/8	50,0	0-16	1	09 000 137
G1/4	50,0	0-1,6	1	09 000 138
G1/4	50,0	0-2,5	1	09 000 139
G1/4	50,0	0-4	1	09 000 140
G1/4	50,0	0-6	1	09 000 141
G1/4	50,0	0-10	1	09 000 142
G1/4	50,0	0-16	1	09 000 143
G1/4	50,0	0-25	1	09 000 144
G1/4	63,0	0-0,6	1	09 000 145
G1/4	63,0	0-1	1	09 000 146
G1/4	63,0	0-1,6	1	09 000 147
G1/4	63,0	0-2,5	1	09 000 148
G1/4	63,0	0-4	1	09 000 149
G1/4	63,0	0-6	1	09 000 150
G1/4	63,0	0-10	1	09 000 151
G1/4	63,0	0-16	1	09 000 152
G1/4	63,0	0-25	1	09 000 153
G1/4	63,0	0-40	1	09 000 154
G1/4	63,0	0-60	1	09 000 155

Manometer mit Rohrfeder für Schalttafeleinbau
manometre with spring tube, panel-type

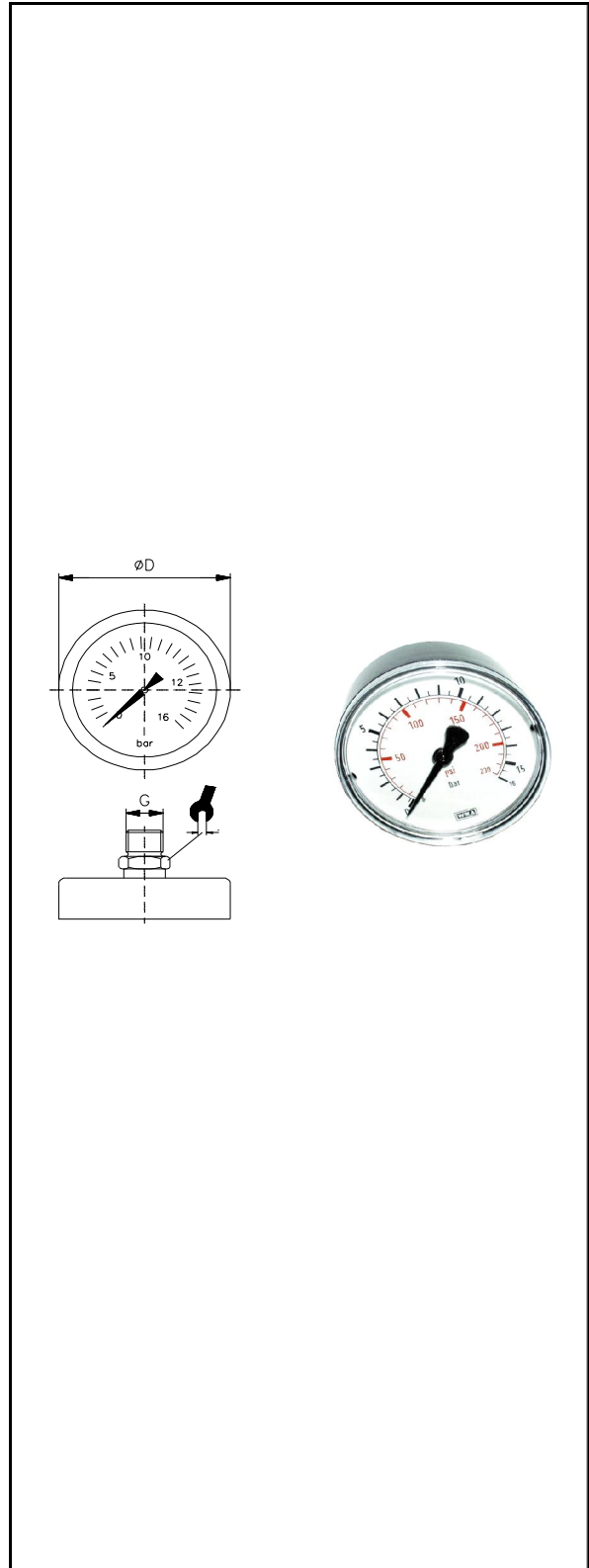


G	D	bar	VE	Art.Nr.
G1/4	50,0	0-10	1	09 000 156
G1/4	50,0	0-16	1	09 000 157
G1/4	63,0	0-10	1	09 000 158
G1/4	63,0	0-16	1	09 000 159

Manometer mit Rohrfeder, Anschluß hinten

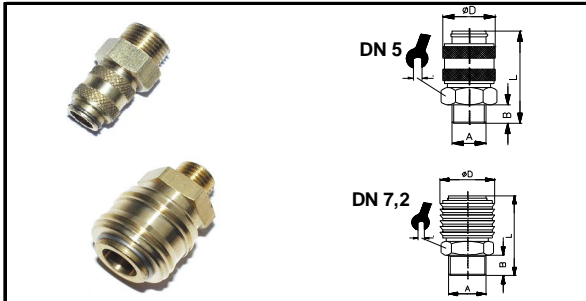
manometre with spring tube, connection at back

G	D	bar	VE	Art.Nr.
G1/8	40,0	-1...0	1	09 000 160
G1/8	40,0	0-1,6	1	09 000 161
G1/8	40,0	0-2,5	1	09 000 162
G1/8	40,0	0-4	1	09 000 163
G1/8	40,0	0-6	1	09 000 164
G1/8	40,0	0-10	1	09 000 165
G1/8	40,0	0-16	1	09 000 166
G1/8	40,0	0-25	1	09 000 167
G	D	bar	VE	Art.Nr.
G1/8	50,0	0-10	1	09 000 168
G1/8	50,0	0-16	1	09 000 169
G1/4	50,0	-1...0	1	09 000 170
G1/4	50,0	0-1,6	1	09 000 171
G1/4	50,0	0-2,5	1	09 000 172
G1/4	50,0	0-4	1	09 000 173
G1/4	50,0	0-6	1	09 000 174
G1/4	50,0	0-10	1	09 000 175
G1/4	50,0	0-16	1	09 000 176
G1/4	50,0	0-25	1	09 000 177
G	D	bar	VE	Art.Nr.
G1/4	63,0	-1...0	1	09 000 178
G1/4	63,0	0-0,6	1	09 000 179
G1/4	63,0	0-1,6	1	09 000 180
G1/4	63,0	0-2,5	1	09 000 181
G1/4	63,0	0-4	1	09 000 182
G1/4	63,0	0-6	1	09 000 183
G1/4	63,0	0-10	1	09 000 184
G1/4	63,0	0-16	1	09 000 185
G1/4	63,0	0-25	1	09 000 186



Einhandkupplung mit Außengewinde

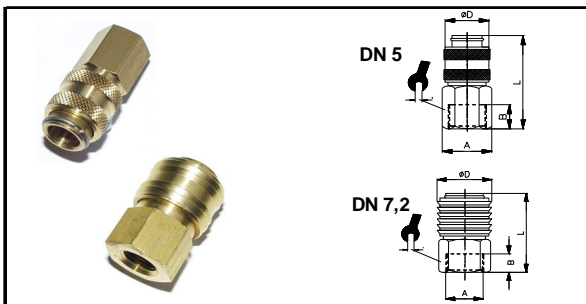
coupling, male



DN	A	B	D	L	SW	VE	Art.Nr.
5	G1/8	7,0	16,0	36,0	14,0	10	09 000 187
5	G1/4	9,0	16,0	38,0	17,0	10	09 000 188
5	G3/8	9,0	16,0	38,0	19,0	5	09 000 189
7,2	G1/8	9,0	27,0	43,0	22,0	5	09 000 190
7,2	G1/4	9,0	27,0	43,0	22,0	5	09 000 191
7,2	G3/8	9,0	27,0	43,0	22,0	5	09 000 192
7,2	G1/2	12,0	27,0	46,0	22,0	5	09 000 193

Einhandkupplung mit Innengewinde

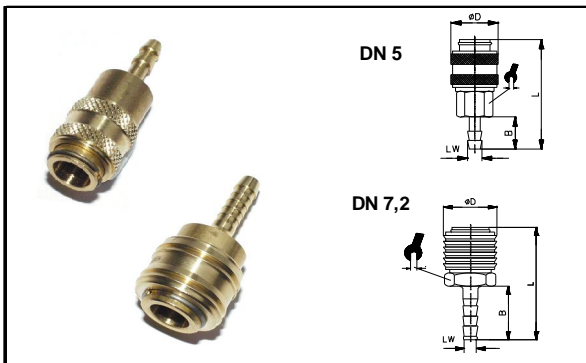
coupling, female



DN	A	B	D	L	SW	VE	Art.Nr.
5	G1/8	7,0	16,0	36,0	14,0	10	09 000 194
5	G1/4	9,0	16,0	38,0	17,0	10	09 000 195
5	G3/8	9,0	16,0	38,0	19,0	5	09 000 196
7,2	G1/4	9,0	27,0	43,0	22,0	10	09 000 197
7,2	G3/8	9,0	27,0	43,0	22,0	5	09 000 198
7,2	G1/2	12,0	27,0	46,0	24,0	5	09 000 199

Einhandkupplung mit Schlauchtülle

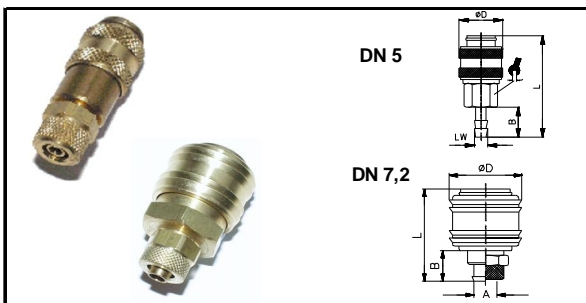
coupling with adaptor



DN	LW	B	D	L	SW	VE	Art.Nr.
5	4	17,0	16,0	46,0	14,0	10	09 000 200
5	6	17,0	16,0	46,0	14,0	10	09 000 201
5	8	17,0	16,0	46,0	14,0	10	09 000 202
5	9	17,0	16,0	46,0	14,0	10	09 000 203
5	10	17,0	16,0	46,0	14,0	10	09 000 204
7,2	6	25,0	27,0	60,0	21,0	10	09 000 205
7,2	8,0	25,0	27,0	60,0	21,0	10	09 000 206
7,2	9,0	25,0	27,0	60,0	21,0	10	09 000 207
7,2	10,0	25,0	27,0	60,0	21,0	10	09 000 208
7,2	13,0	25,0	27,0	60,0	21,0	10	09 000 209

Einhandkupplung für Kunststoffschlauch

coupling for plastic hose

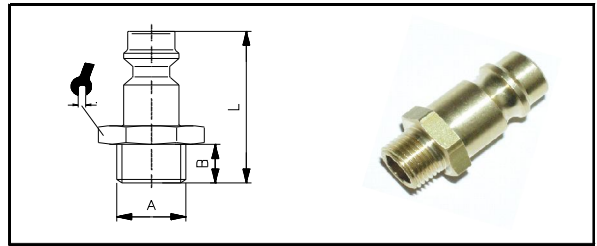


DN	A	B	D	L	SW	VE	Art.Nr.
5	4x6	13,0	16,0	41,0	14,0	10	09 000 210
5	6x8	13,0	16,0	41,0	14,0	10	09 000 211
7,2	6x8	13,0	27,0	51,0	21,0	10	09 000 212
7,2	8x10	17,0	27,0	56,0	21,0	10	09 000 213
7,2	9x12	17,0	27,0	56,0	21,0	10	09 000 214

Stecknippel mit Außengewinde

coupling, male

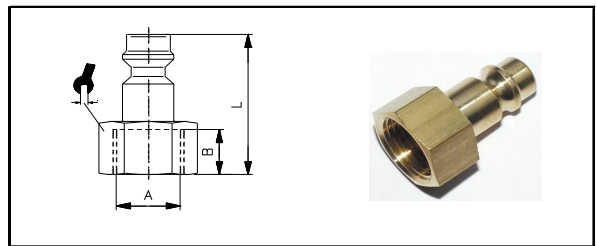
DN	A	B	L	SW	VE	Art.Nr.
5	G1/8	7,0	25,0	14,0	100	09 000 215
5	G1/4	9,0	28,0	17,0	100	09 000 216
5	G3/8	9,0	28,0	19,0	50	09 000 217
7,2	G1/8	7,0	31,0	14,0	100	09 000 218
7,2	G1/4	9,0	33,0	17,0	100	09 000 219
7,2	G3/8	9,0	33,0	19,0	50	09 000 220
7,2	G1/2	12,0	38,0	22,0	50	09 000 221



Stecknippel mit Innengewinde

coupling, female

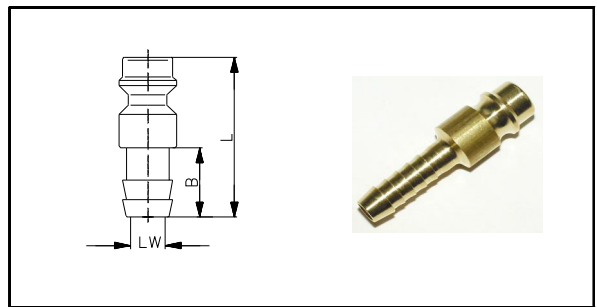
DN	A	B	L	SW	VE	Art.Nr.
5	G1/8	8,0	25,0	14,0	100	09 000 222
5	G1/4	9,0	26,0	17,0	100	09 000 223
5	G3/8	9,0	27,0	19,0	50	09 000 224
7,2	G1/8	7,0	30,0	14,0	100	09 000 225
7,2	G1/4	10,0	33,0	17,0	100	09 000 226
7,2	G3/8	10,0	33,0	19,0	50	09 000 227
7,2	G1/2	12,0	36,0	24,0	50	09 000 228



Stecknippel mit Schlauchtülle

coupling with adaptor

DN	LW	B	L	VE	Art.Nr.
5	4,0	17,0	32,0	100	09 000 229
5	6,0	17,0	32,0	100	09 000 230
5	8,0	17,0	32,0	100	09 000 231
5	9,0	17,0	32,0	100	09 000 232
7,2	6,0	25,0	48,0	100	09 000 233
7,2	8,0	25,0	48,0	100	09 000 234
7,2	9,0	25,0	48,0	100	09 000 235
7,2	10,0	25,0	48,0	50	09 000 236
7,2	13,0	25,0	48,0	50	09 000 237



Stecknippel für Kunststoffschlauch

coupling for plastic hose

DN	A	L	VE	Art.Nr.
5	4x6	32,0	100	09 000 238
5	6x8	32,0	100	09 000 239
7,2	4x6	32,0	100	09 000 240
7,2	6x8	32,0	100	09 000 241
7,2	8x10	48,0	50	09 000 242
7,2	9x12	48,0	50	09 000 243



Blaspistole

blowing gun

ØDüse	Anschluß	VE	Art.Nr.
1,5	G 1/4 IG	1	09 000 244

