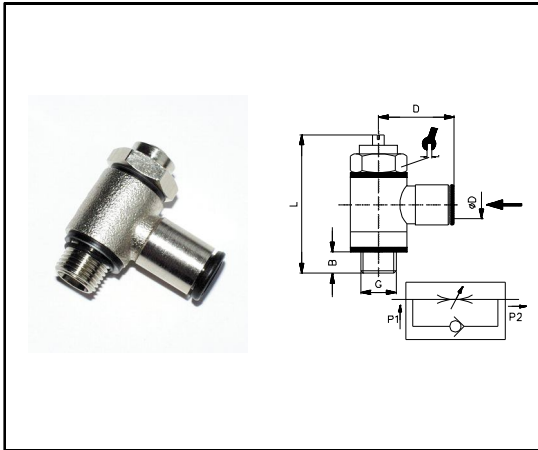


**Drosselrückschlagventil mit Ringstück
Typ A, Zuluft drosselbar**

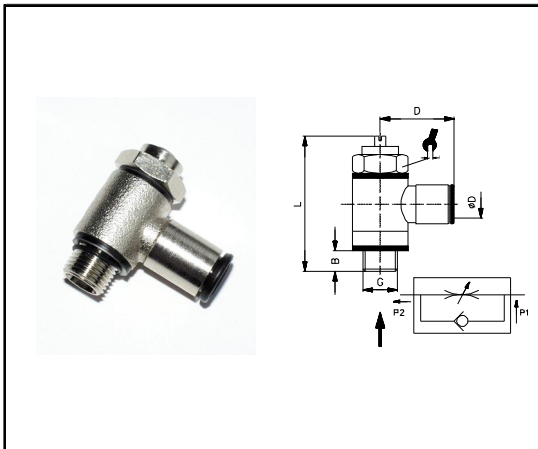
undirectional flow regulator, type A for valves



ØD	G	B	D	L	SW	VE	Art.Nr.
4	M5	6,0	17,0	24,5	8,0	50	04 000 001
4	G1/8	5,5	21,0	31,5	14,0	50	04 000 002
5	G1/8	5,5	22,5	31,5	14,0	50	04 000 003
6	M5	4,0	21,0	24,5	8,0	50	04 000 004
6	G1/8	5,5	22,5	31,5	14,0	50	04 000 005
6	G1/4	6,0	24,0	38,0	17,0	50	04 000 006
8	G1/8	5,5	24,5	31,5	14,0	25	04 000 007
8	G1/4	6,0	26,0	38,0	17,0	25	04 000 008
8	G3/8	6,0	28,0	40,0	20,0	25	04 000 009
10	G1/4	6,0	28,0	38,0	17,0	25	04 000 010
10	G3/8	6,0	29,0	40,0	20,0	25	04 000 011
12	G1/4	6,0	28,0	38,0	20,0	25	04 000 012
12	G3/8	6,0	30,0	40,0	20,0	10	04 000 013

**Drosselrückschlagventil mit Ringstück
Typ B, Abluft drosselbar**

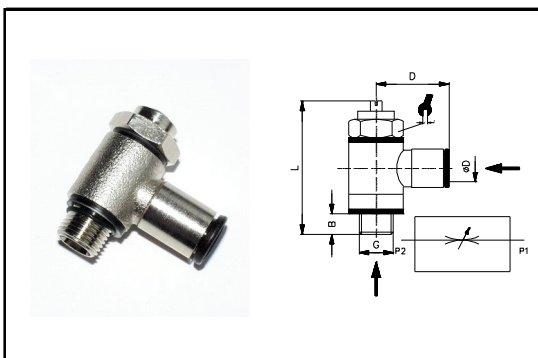
undirectional flow valve, type B for cylinders



ØD	G	B	D	L	SW	VE	Art.Nr.
4	M5	6,0	17,0	24,5	8,0	50	04 000 014
4	G1/8	5,5	21,0	31,5	14,0	50	04 000 015
5	G1/8	5,5	22,5	31,5	14,0	50	04 000 016
6	M5	4,0	21,0	24,5	8,0	50	04 000 017
6	G1/8	5,5	22,5	31,5	14,0	50	04 000 018
6	G1/4	6,0	24,0	38,0	17,0	50	04 000 019
8	G1/8	5,5	24,5	31,5	14,0	25	04 000 020
8	G1/4	6,0	26,0	38,0	17,0	25	04 000 021
8	G3/8	6,0	28,0	40,0	20,0	25	04 000 022
10	G1/4	6,0	28,0	38,0	17,0	25	04 000 023
10	G3/8	6,0	29,0	40,0	20,0	25	04 000 024
12	G1/4	6,0	28,0	38,0	20,0	25	04 000 025
12	G3/8	6,0	30,0	40,0	20,0	10	04 000 026

**Drosselhohlschraube mit Ringstück
Typ C beidseitig drosselbar**

bidirectional flow regulator, type C

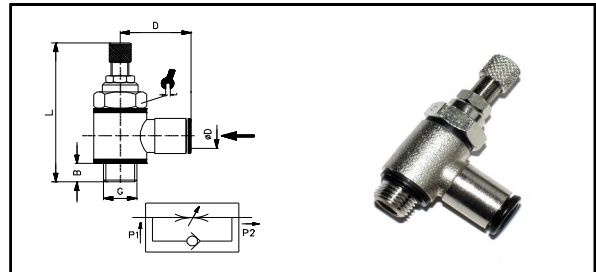


ØD	G	B	D	L	SW	VE	Art.Nr.
4	M5	6,0	17,0	24,5	8,0	50	04 000 027
4	G1/8	5,5	21,0	33,5	14,0	50	04 000 028
5	G1/8	5,5	22,5	33,5	14,0	50	04 000 029
6	M5	4,0	21,0	24,5	8,0	50	04 000 030
6	G1/8	5,5	22,5	33,5	14,0	50	04 000 031
6	G1/4	6,0	24,0	38,0	17,0	50	04 000 032
8	G1/8	5,5	24,5	33,5	14,0	25	04 000 033
8	G1/4	6,0	26,0	38,0	17,0	25	04 000 034
8	G3/8	6,0	28,0	40,0	20,0	25	04 000 035
10	G1/4	6,0	27,0	38,0	17,0	25	04 000 036

Drosselrückschlagventil mit Steckverschraubung und Rändelknopf, Typ A Zuluft drosselbar

Flow Regulator with push-in fittings and handwheel Regulator type A

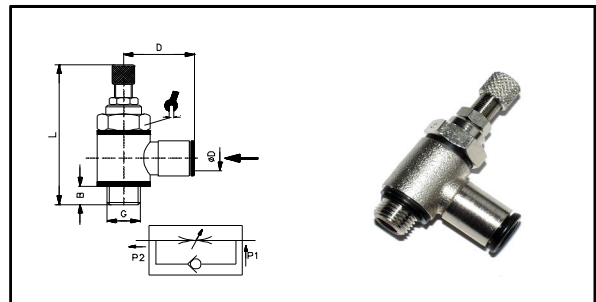
ØD	G	B	D	L	SW	VE	Art.Nr.
4	G1/8	5,5	17	49	14	50	04 000 037
6	G1/8	5,5	21	49	14	50	04 000 038
8	G1/8	5,5	22,5	49	14	50	04 000 039
6	G1/4	6	22,5	56,5	17	25	04 000 040
8	G1/4	6	24	56,5	17	25	04 000 041
10	G1/4	6	24,5	56,5	17	25	04 000 042
12	G1/4	6	26	56,5	17	25	04 000 043



Drosselrückschlagventil mit Steckverschraubung und Rändelknopf, Typ B Abluft drosselbar

Flow Regulator with push-in fittings and handwheel Regulator type B

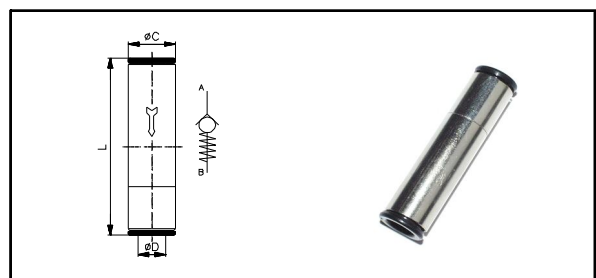
ØD	G	B	D	L	SW	VE	Art.Nr.
4	G1/8	5,5	17	49	14	50	04 000 044
6	G1/8	5,5	21	49	14	50	04 000 045
8	G1/8	5,5	22,5	49	14	50	04 000 046
6	G1/4	6	22,5	56,5	17	25	04 000 047
8	G1/4	6	24	56,5	17	25	04 000 048
10	G1/4	6	24,5	56,5	17	25	04 000 049
12	G1/4	6	26	56,5	17	25	04 000 050



Rückschlagverbinder

straight unidirectional connector

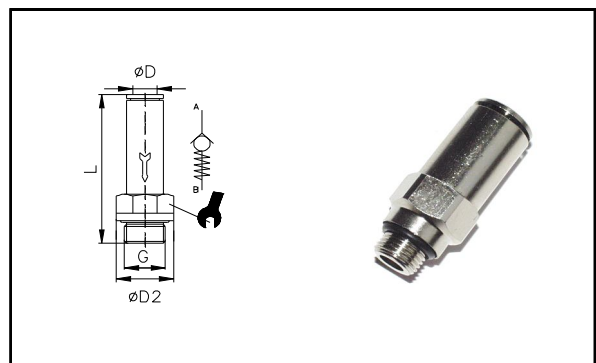
D	C	L	VE	Art.Nr.
4	9,0	40,5	50	04 000 051
6	11,0	44,5	25	04 000 052
8	13,0	48,5	25	04 000 053



Rückschlagverschraubung

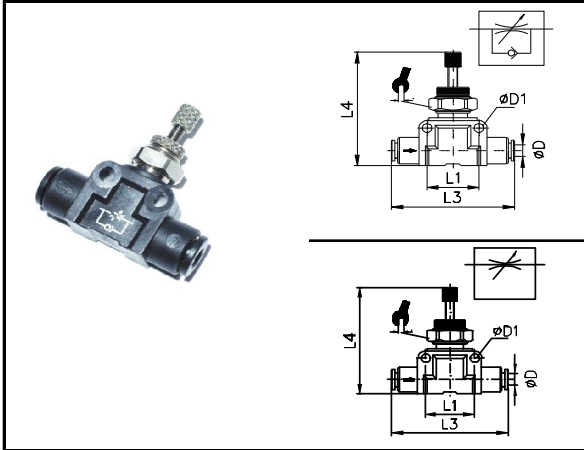
straight connection with non return valve

ØD	G	D2	L	SW	VE	Art.Nr.
4	M5	9,0	35,0	9,0	50	04 000 054
4	G1/8	10,0	28,5	11,0	50	04 000 055
6	G1/8	12,0	35,0	13,0	50	04 000 056
6	G1/4	12,0	37,0	14,0	50	04 000 057
8	G1/4	14,0	36,0	15,0	50	04 000 058
8	G1/4	14,0	37,0	16,0	50	04 000 059
10	G1/4	16,0	40,0	18,0	25	04 000 060
10	G3/8	16,0	40,0	18,0	25	04 000 061
12	G1/2	19,0	47,0	24,0	10	04 000 062
14	G1/2	21,0	50,0	25,0	10	04 000 063



Drosselrückschlagventil Kunststoff, Steckanschluß

Acetal line flow Regulator



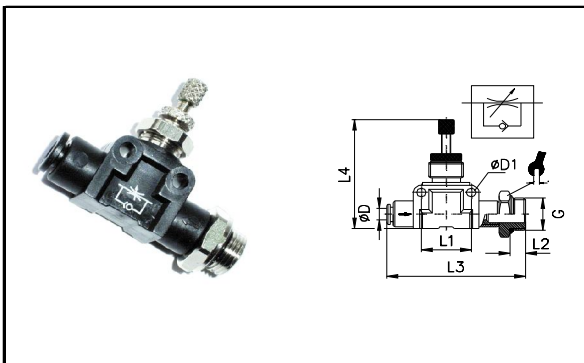
ØD	ØD1	L1	L3	L4	SW	VE	Art.Nr.
4	3,2	12	36	35	11	10	04 000 064
6	3,2	15	45	45	14	10	04 000 065
8	3,2	15	45	45	14	5	04 000 066

beidseitig drosselbar

ØD	ØD1	L1	L3	L4	SW	VE	Art.Nr.
4	3,2	12	36	35	11	10	04 000 067
6	3,2	15	45	45	14	10	04 000 068
8	3,2	15	45	45	14	5	04 000 069

Drosselrückschlagventil Kunststoff Steckanschluß - Einschraub

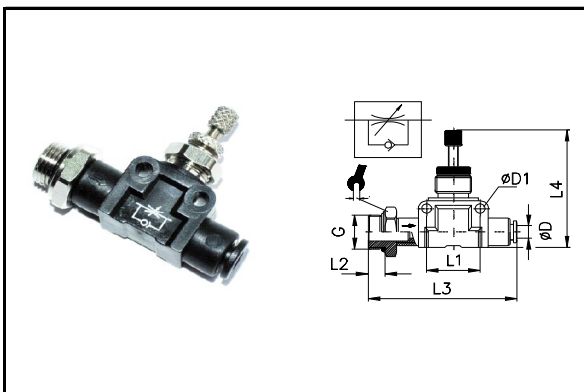
Acetal line flow Regulator



ØD	ØD1	G	L1	L2	L3	L4	SW	VE	Art.Nr.
4	3,2	M5	12	4	43	35	9	10	04 000 070
4	3,2	G1/8	15	5	43	35	13	10	04 000 071
6	3,2	G1/8	15	5	52	45	13	10	04 000 072
6	3,2	G1/4	15	6,5	54	45	16	10	04 000 073
8	3,2	G1/8	15	5	53	46	14	10	04 000 074
8	3,2	G1/4	15	6,5	55	46	16	10	04 000 075

Drosselrückschlagventil Kunststoff Einschraub - Steckanschluß

Acetal line flow Regulator

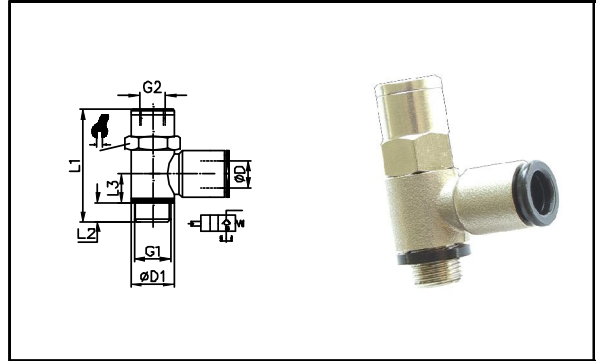


ØD	ØD1	G	L1	L2	L3	L4	SW	VE	Art.Nr.
4	3,2	M5	12	4	43	35	9	10	04 000 076
4	3,2	G1/8	15	5	43	35	13	10	04 000 077
6	3,2	G1/8	15	5	52	45	13	10	04 000 078
6	3,2	G1/4	15	6,5	54	45	16	10	04 000 079
8	3,2	G1/8	15	5	53	46	14	10	04 000 080
8	3,2	G1/4	15	6,5	55	46	16	10	04 000 081

Rückschlagventil, pneumatisch entsperrbar

bidirectional flow Regulator

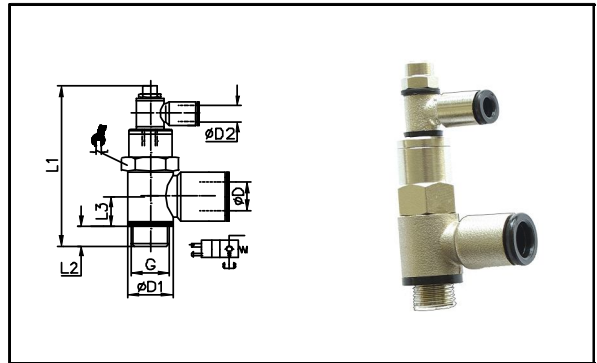
ØD	G1	D1	G2	L1	L2	L3	SW	VE	Art.Nr.
4	G1/8	14	M5	42,0	6,0	9,5	13	10	04 000 082
6	G1/8	14	M5	42,0	6,0	9,5	13	10	04 000 083
6	G1/4	18	G1/8	47,0	8,0	10,5	17	10	04 000 084
8	G1/8	14	M5	42,0	6,0	9,5	13	10	04 000 085
8	G1/4	18	G1/8	47,0	8,0	10,5	17	10	04 000 086
8	G3/8	21	G1/8	53,5	9,0	12,0	20	10	04 000 087
10	G1/4	18	G1/8	47,0	8,0	10,5	17	10	04 000 088
10	G3/8	21	G1/8	53,5	9,0	12,0	20	10	04 000 089
12	G1/4	18	G1/8	47,0	8,0	10,5	17	10	04 000 090
12	G3/8	21	G1/8	53,5	9,0	12,0	20	10	04 000 091



Rückschlagventil entsperrbar, pneumatisch betätigt

bidirectional flow Regulator

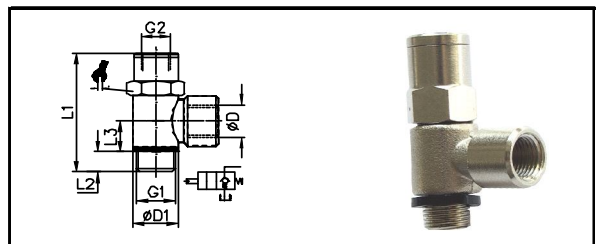
ØD	G1	D1	D2	L1	L2	L3	SW	VE	Art.Nr.
4	G1/8	14	4	62,0	6,0	9,5	13	10	04 000 092
6	G1/8	14	4	62,0	6,0	9,5	13	10	04 000 093
6	G1/4	18	4	67,0	8,0	10,5	17	10	04 000 094
8	G1/8	14	6	62,0	6,0	9,5	13	10	04 000 095
8	G1/4	18	6	67,0	8,0	10,5	17	10	04 000 096
8	G3/8	21	6	76,5	9,0	12,0	20	10	04 000 097
10	G1/4	18	6	67,0	8,0	10,5	17	10	04 000 098
10	G3/8	21	6	76,5	9,0	12,0	20	10	04 000 099
12	G1/4	18	6	67,0	8,0	10,5	17	10	04 000 100
12	G3/8	21	6	76,5	9,0	12,0	20	10	04 000 101



Rückschlagventil pneumatisch entsperrbar

bidirectional flow Regulator

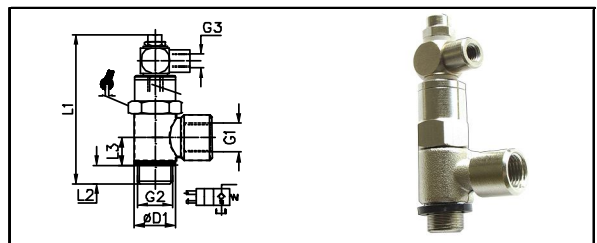
D1	D2	D3	L1	L2	L3	SW	VE	Art.Nr.
G1/4	G1/8	M5	8	54	24	19	10	04 000 102
G3/8	G1/8	G1/8	9	78	33	27	10	04 000 103
G1/2	G1/8	G1/8	10	73	28	27	5	04 000 104



Rückschlagventil entsperrbar, pneumatisch betätigt

bidirectional flow Regulator

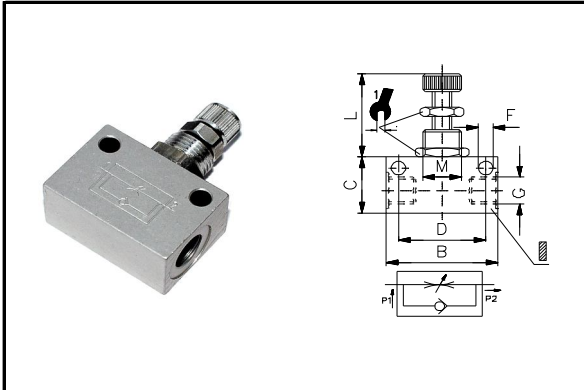
D1	D2	D3	L1	L2	L3	SW	VE	Art.Nr.
G1/4	G1/4	M5	8	54	20	19	10	04 000 105
G3/8	G3/8	G1/8	9	78	23	27	10	04 000 106
G1/2	G1/2	G1/8	10	73	23	27	5	04 000 107



G	Steuerdruck in Abhängigkeit zum Arbeitsdruck						Durchfluß in NL/min. bei 6 bar	Medium: gefilterte und geölte Luft Betriebsdruck : 2 bar bis 10 bar Luft Betriebstemperatur: -5°C bis +70°C
G1/8	1,5	2	3	3,5	4	400		
G1/4	1,5	2	3	3,5	4	850		
G3/8	1,5	2	3	3,5	4	1250		
G1/2	1,5	2	3	3,5	4	1800		
	2 bar	4 bar	6 bar	8 bar	10 bar			

Drosselrückschlagventil

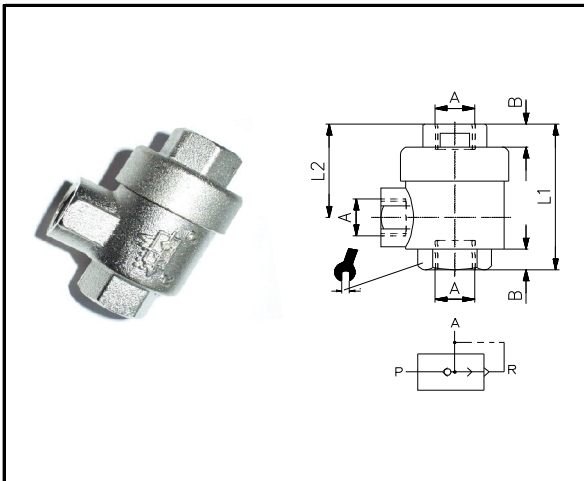
unidirectional flow Regulator



G	B	C	D	L	F	M	H	SW	VE	Art.Nr.
M5	26	16	18,0	34-39	4,5	M10x0,75	12	12	10	04 000 108
G1/8	35	22	24,7	48-56	4,5	M12x0,75	15	20	10	04 000 109
G1/4	46	30	35,0	56-64	6,5	M12x0,75	15	20	5	04 000 110
G3/8	50	30	35,0	68-73	6,5	M18x1	22	25	5	04 000 111
G1/2	60	40	44,0	76-83	6,5	M18x1	22	25	1	04 000 112

Schnellentlüftungsventil - VSR

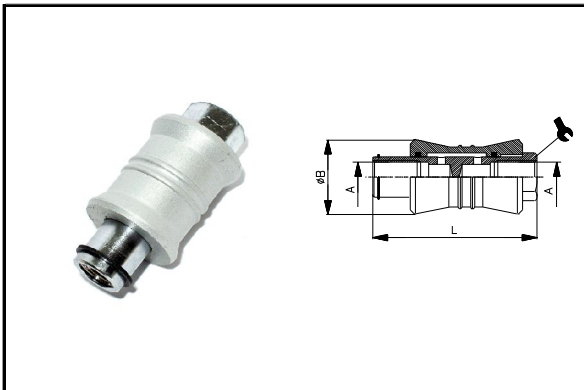
Quick exhaust Valve



D	B	L1	L2	SW	VE	Art.Nr.
M5	5,0	25,0	17	10	25	04 000 113
G1/8	8,0	42,0	28	14	25	04 000 114
G1/4	11,0	53,0	34	19	25	04 000 115
G3/8	11,5	60,5	40	22	10	04 000 116
G1/2	14,0	70,0	44	26	10	04 000 117
G3/4	19,0	87,0	37	32	5	04 000 118
G1	16,0	108,0	70	46	1	04 000 119

Handschiebeventil

slide Valve

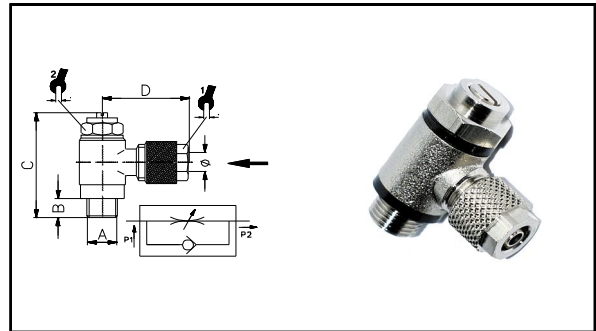


D	B	L	SW	VE	Art.Nr.
G1/8	25,0	48	14	10	04 000 120
G1/4	30,0	58	17	5	04 000 121
G3/8	35,0	68	22	5	04 000 122
G1/2	40,0	80	27	1	04 000 123

**Drosselrückschlagventil mit Ringstück
Typ A, Zuluft drosselbar**

undirectional flow regulator, type A for valves

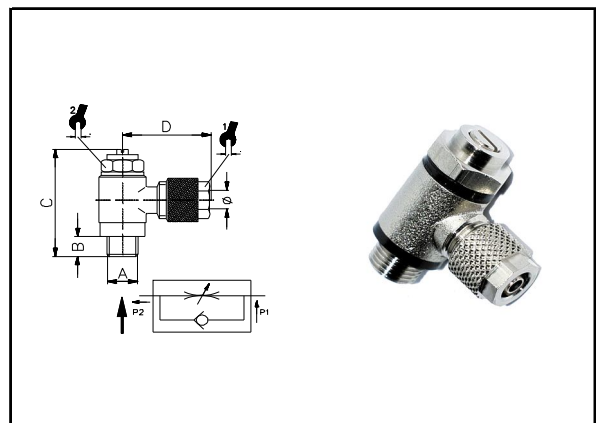
ØD	D	B	C	D	SW1	SW2	VE	Art.Nr.
5/3	M5	4,0	27,0	15,0	8,0	8,0	50	04 000 124
5/3	G1/8	5,5	34,0	23,0	8,0	14,0	50	04 000 125
6/4	M5	4,0	27,0	15,0	9,0	8,0	50	04 000 126
6/4	G1/8	5,5	34,0	23,0	10,0	14,0	50	04 000 127
6/4	G1/4	6,0	38,0	26,0	10,0	17,0	50	04 000 128
8/6	G1/8	5,5	34,0	23,0	12,0	14,0	50	04 000 129
8/6	G1/4	6,0	38,0	26,0	12,0	17,0	50	04 000 130



**Drosselrückschlagventil mit Ringstück
Typ B, Abluft drosselbar**

undirectional flow valve, type B for cylinders

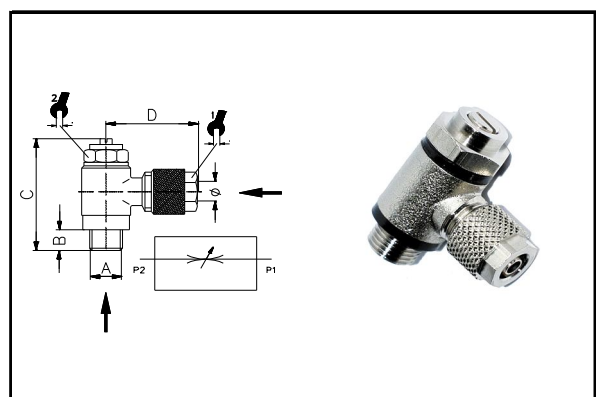
ØD	D	B	C	D	SW1	SW2	VE	Art.Nr.
5/3	M5	4,0	27,0	15,0	8,0	8,0	50	04 000 131
5/3	G1/8	5,5	34,0	23,0	8,0	14,0	50	04 000 132
6/4	M5	4,0	27,0	15,0	9,0	8,0	50	04 000 133
6/4	G1/8	5,5	34,0	23,0	10,0	14,0	50	04 000 134
6/4	G1/4	6,0	38,0	26,0	10,0	17,0	50	04 000 135
8/6	G1/8	5,5	34,0	23,0	12,0	14,0	50	04 000 136
8/6	G1/4	6,0	38,0	26,0	12,0	17,0	50	04 000 137
8/6	G3/8	7,0	52,0	26,0	12,0	20,0	50	04 000 138



**Drosselhohlschraube mit Ringstück
Typ C beidseitig drosselbar**

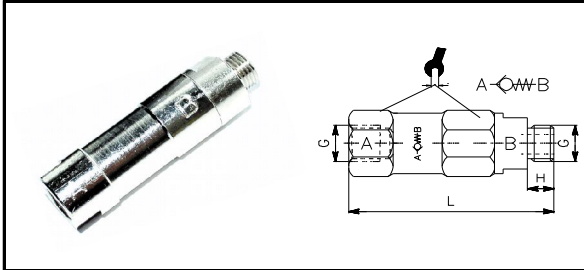
bidirectional flow regulator, type C

ØD	D	B	C	D	SW1	SW2	VE	Art.Nr.
5/3	M5	4,0	27,0	15,0	8,0	8,0	50	04 000 139
6/4	M5	4,0	27,0	15,0	9,0	8,0	50	04 000 140
6/4	G1/8	5,5	34,0	23,0	10,0	14,0	50	04 000 141
6/4	G1/4	6,0	38,0	26,0	10,0	17,0	50	04 000 142
8/6	G1/8	5,5	34,0	23,0	12,0	14,0	50	04 000 143
8/6	G1/4	6,0	38,0	26,0	12,0	17,0	50	04 000 144



Rückschlagventil

non return Valve

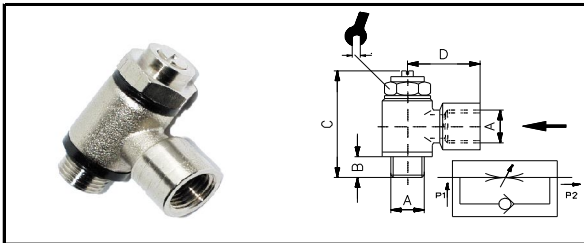


D	H	L	SW	VE	Art.Nr.
G1/2	12,0	53,0	14,0	1	04 000 145
G1/2	17,0	66,0	19,0	1	04 000 146
G1/2	20,0	81,0	27,0	1	04 000 147

Drosselrückschlagventil mit Innengewinde

Typ A, Zuluft drosselbar

unidirectional flow regulator, type A,
for valves with female thread

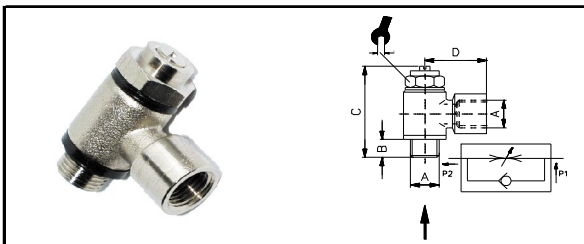


D	B	C	D	SW	VE	Art.Nr.
M5	3,5	30,0	10,5	8,0	50	04 000 148
G1/2	4,5	34,0	16,0	14,0	50	04 000 149
G1/2	6,5	38,0	22,0	17,0	50	04 000 150
G3/4	8,5	45,0	32,0	20,0	25	04 000 151
G1/2	10,0	55,0	32,0	26,0	10	04 000 152

Drosselrückschlagventil mit Innengewinde

Typ B, Abluftdrosselbar

unidirectional flow regulator, type B
for cylinders with female thread

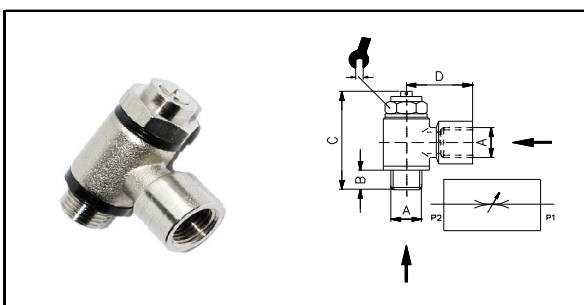


D	B	C	D	SW	VE	Art.Nr.
M5	3,5	30,0	10,5	8,0	50	04 000 153
G1/2	4,5	34,0	16,0	14,0	50	04 000 154
G1/2	6,5	38,0	22,0	17,0	50	04 000 155
G3/4	8,5	45,0	32,0	20,0	25	04 000 156
G1/2	10,0	55,0	32,0	26,0	10	04 000 157

Drosselrückschlagventil mit Innengewinde

Typ C, beidseitig drosselbar

bidirectional flow regulator, type C, with femal thread



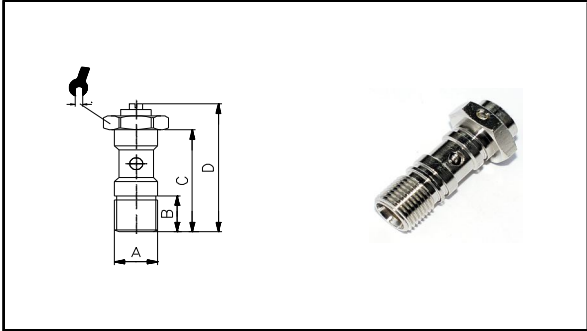
D	B	C	D	SW	VE	Art.Nr.
M5	3,5	30,0	10,5	8,0	50	04 000 158
G1/2	4,5	34,0	16,0	14,0	50	04 000 159
G1/2	6,5	38,0	22,0	17,0	50	04 000 160
G3/4	8,5	45,0	32,0	20,0	25	04 000 161
G1/2	10,0	55,0	32,0	26,0	10	04 000 162

Drosselhohlschraube mit Schlitzschraube

Stem for flow regulator with slotted screw

A = Zuluft / for valves
B = Abluft / for cylinders
C = beidseitig / bidirectional

Typ	D	B	C	D	SW	VE	Art.Nr.
B	M5	5,0	16,0	25,5	8	50	04 000 163
A	G1/8	9,5	25,5	34	14	50	04 000 164
A	G1/4	12,0	28,0	38	17	50	04 000 165
B	G1/8	9,5	25,5	34	14	50	04 000 166
B	G1/4	12,0	28,0	38	17	50	04 000 167
C	G1/8	9,5	25,5	34	14	50	04 000 168
C	G1/4	12,0	28,0	38	17	50	04 000 169
B	G3/8	14,1	29,8	45	19	50	04 000 170
A	G1/2	12,5	39,0	61	26	50	04 000 171
B	G1/2	12,5	39,0	61	26	50	04 000 172

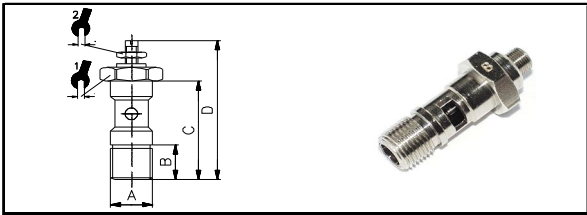


Drosselhohlschraube mit Schlitz und Kontermutter

stem for flow regulator with nut and slotted screw

A = Zuluft / for valves
B = Abluft / for cylinders
C = beidseitig / bidirectional

Typ	D	B	C	D	SW1	SW2	VE	Art.Nr.
A	G1/8	9,5	25,5	43	14	9	50	04 000 173
A	G1/4	12,0	28,0	45	17	9	50	04 000 174
B	G1/8	9,5	25,5	43	14	9	50	04 000 175
B	G1/4	12,0	28,0	45	17	9	50	04 000 176
C	G1/8	9,5	25,5	43	14	9	50	04 000 177
C	G1/4	12,0	28,0	45	17	9	50	04 000 178

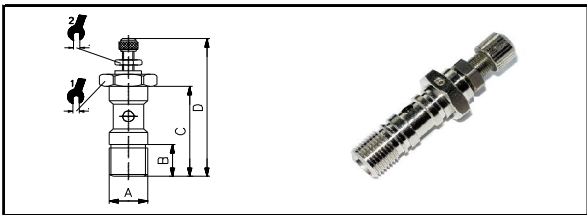


Drosselhohlschraube mit Rändelknopf und Kontermutter

stem for flow regulator with nut and regulating spindle

A = Zuluft / for valves
B = Abluft / for cylinders
C = beidseitig / bidirectional

Typ	D	B	C	D	SW1	SW2	VE	Art.Nr.
A	G1/8	9,5	25,5	52,0	14	9	50	04 000 179
A	G1/4	12,0	28,0	53,0	17	9	50	04 000 180
B	G1/8	9,5	25,5	52,0	14	9	50	04 000 181
B	G1/4	12,0	28,0	53,0	17	9	50	04 000 182
C	G1/8	9,5	25,5	52,0	14	9	50	04 000 183
C	G1/4	12,0	28,0	53,0	17	9	50	04 000 184



Rückschlagventil, Messing vernickelt, Sechskant

nonreturn valve, brass nickelized, hexagon

G	T	L	SW	VE	Art.Nr.
M5	5,5	26,5	8,0	50	04 000 185
G1/8	8,5	35,5	13,0	50	04 000 186
G1/4	11,0	42,5	17,0	25	04 000 187
G3/8	12,0	58,0	24,0	10	04 000 188
G1/2	15,0	64,0	24,0	10	04 000 189

